



## JCB Fastrac

Mounting instructions  
 Art. 887400  
 Lamp holder

Scan the QR code  
 for translated  
 instructions or visit  
[metec.ee/instructions](http://metec.ee/instructions)



Weight: 21,1 kg  
 Time of mounting w/o wiring: 60 min

### Required tools:

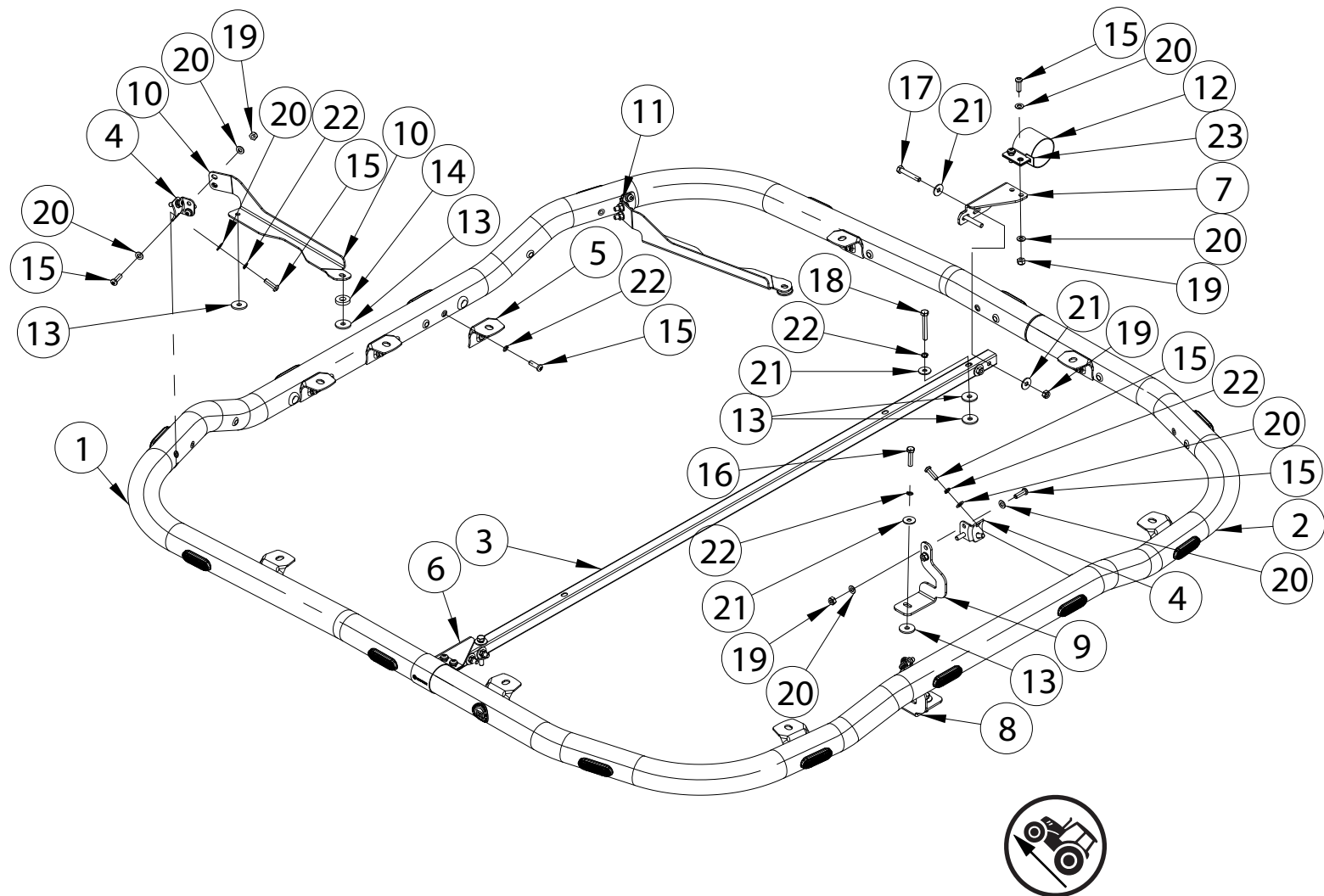


<b>A2 / A4</b>
<b>M8 - 17 Nm</b>

# JCB Fastrac

Art. 887400

Lamp holder



Pos	Description	QTY
1.	Arc	1
2.	Arc	1
3.	Pipe 25x25	1
4.	Bolt bracket	4
5.	Lamp fixing bracket	9
6.	Angeled plate	1
7.	Angeled plate	1
8.	Bracket	1
9.	Bracket	1
10.	Bracket	1
11.	Bracket	1
12.	Clamp	2

Pos	Description	QTY
13.	Rubber washer	10
14.	Bushing	2
15.	Bolt M8x25 DIN7380-A2	29
16.	Bolt M8x35 DIN933-A2	2
17.	Bolt M8x50 DIN933-A2	4
18.	Bolt M8x60 DIN985-A2	2
19.	Nut M8 DIN985-A2	16
20.	Flat Washer 8,4x16x1,6	32
21.	Flat Washer 8,4x24x2	12
22.	Spring washer A8	21
23.	Brace-it installation tool	2

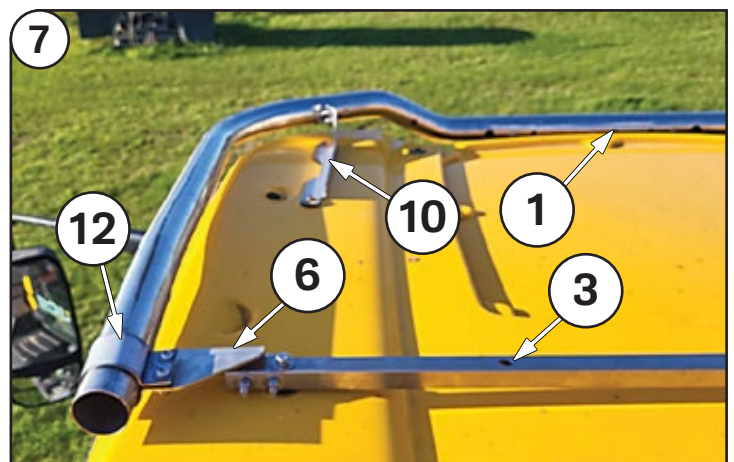
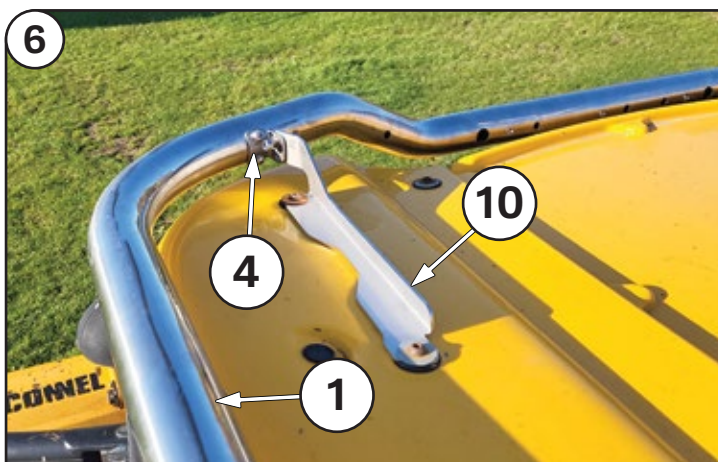
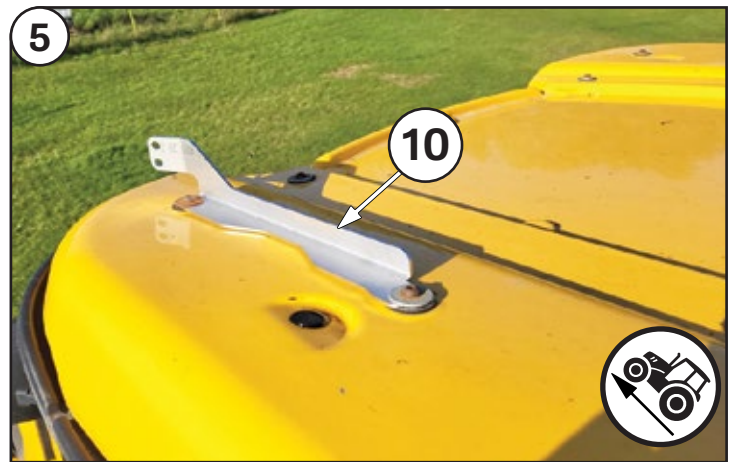
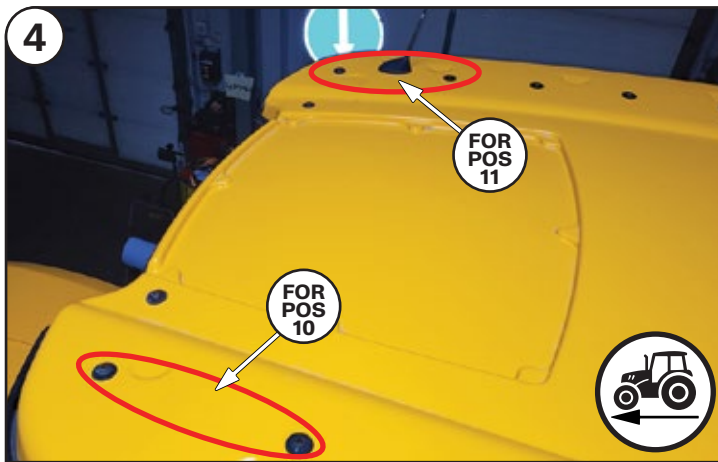
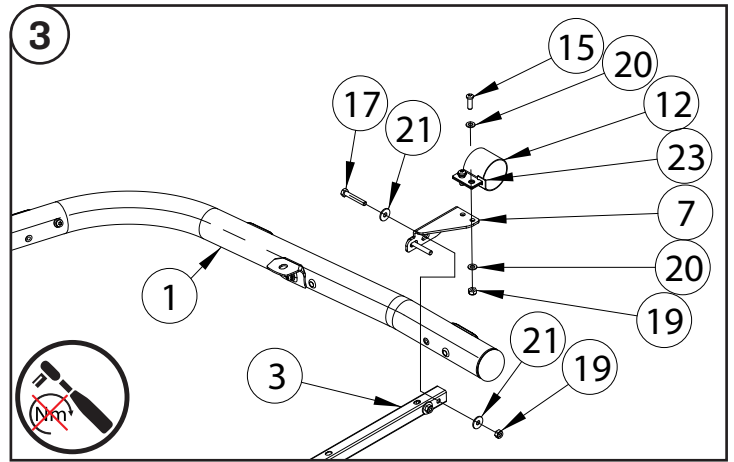
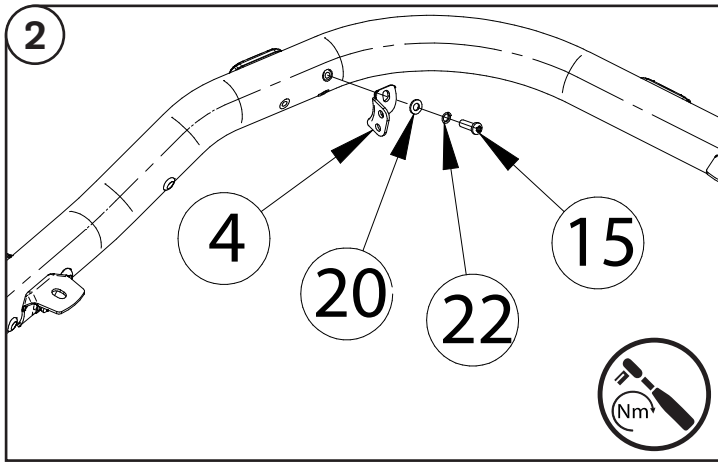
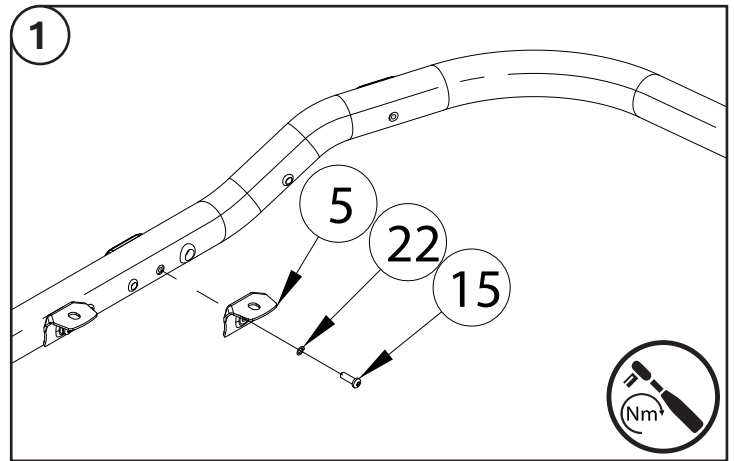
**NB!**



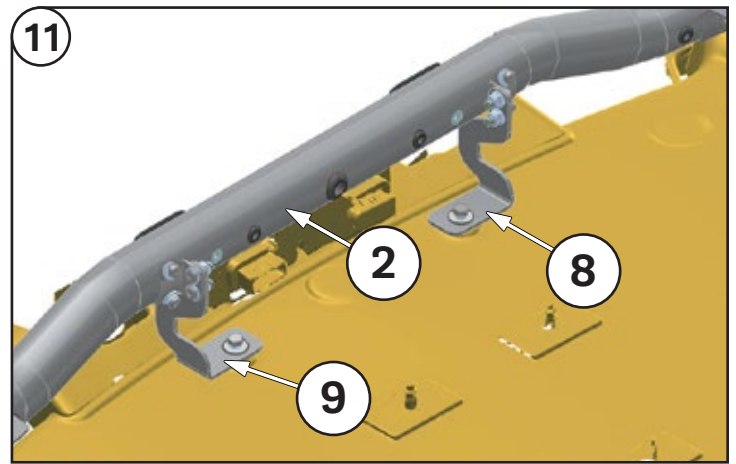
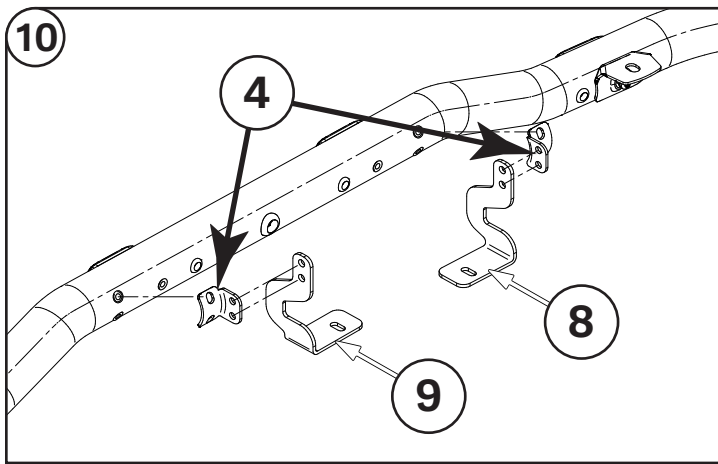
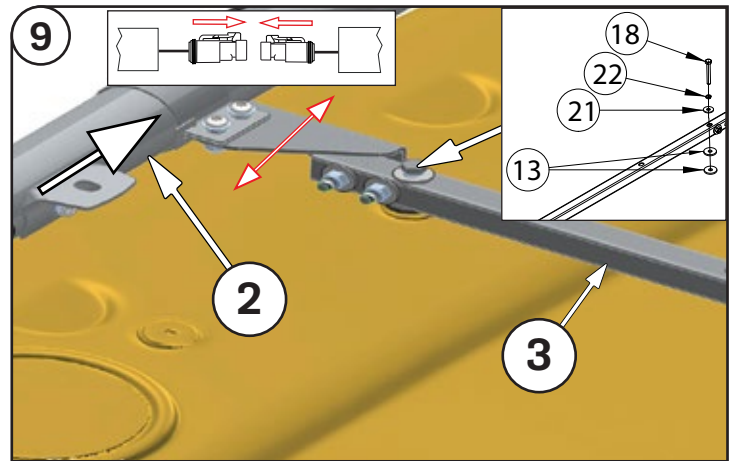
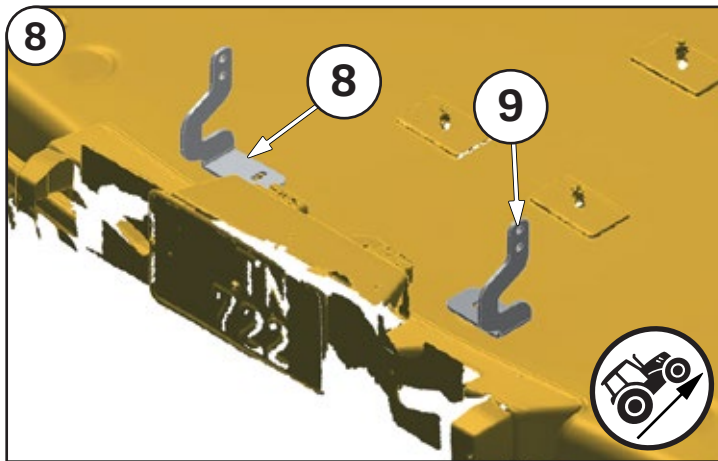
To prevent cold welding, use cold weld grease or engine oil



Installation of the lights must be carried out by a qualified electrician only







Check and retighten the fasteners after each 10 000km



Clean and wash the product twice a month to prevent corrosion