



## John Deere 6R

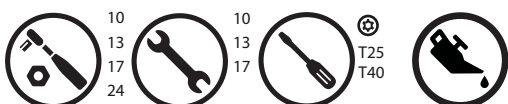
Mounting instructions  
 Art. 887504  
 Lamp holder

Scan the QR code  
 for translated  
 instructions or visit  
[metec.ee/instructions](http://metec.ee/instructions)

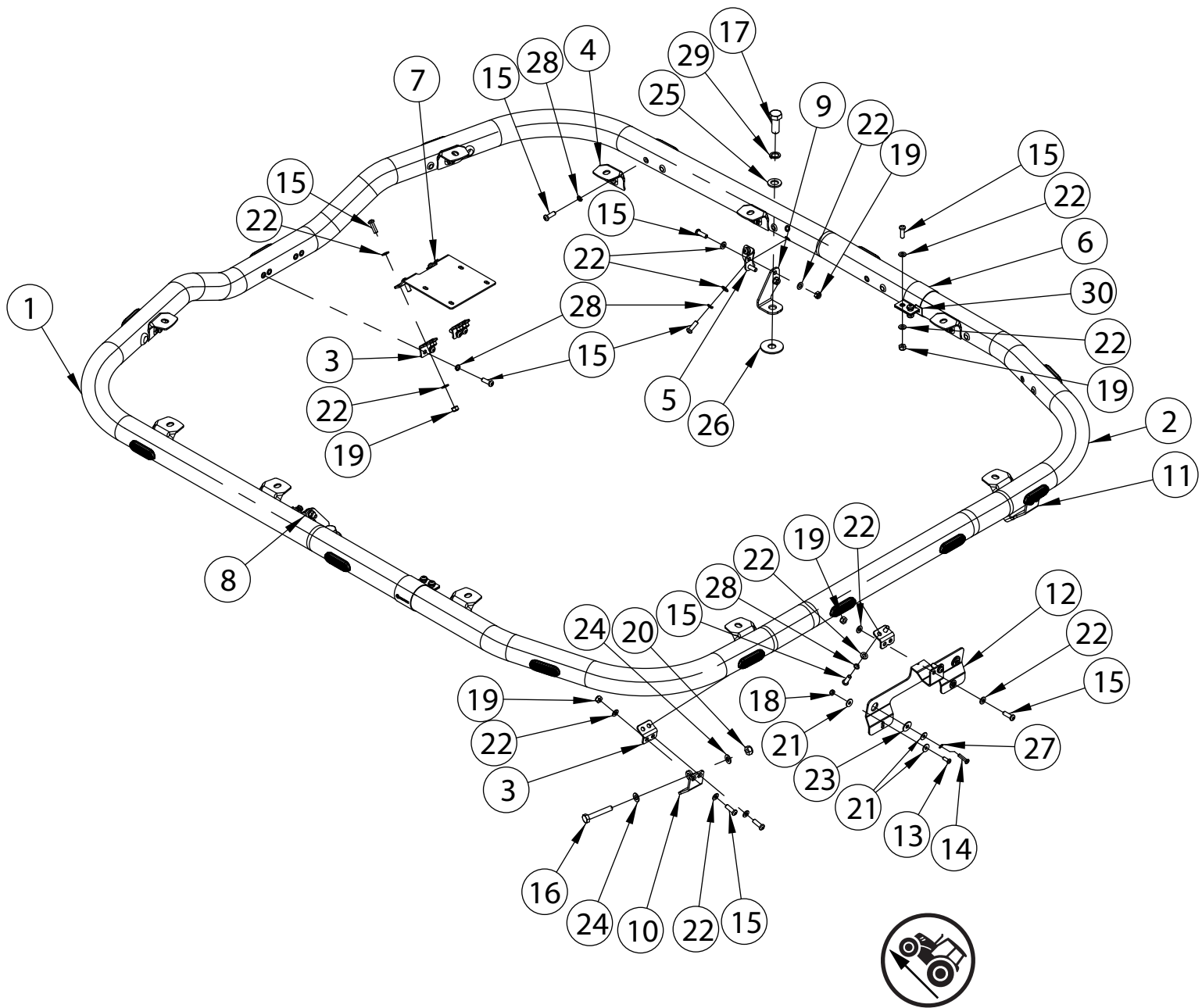


Weight: 20,2 kg  
 Time of mounting w/o wiring: 60 min

### Required tools:



A2 / A4		Zn
M6	- 7 Nm	M16 - 197 Nm
M8	- 17 Nm	



Pos	Description	QTY	Pos	Description	QTY	Pos	Description	QTY
1.	Arc	1	11.	Bracket	1	21.	Flat Washer 8,4x16x1,6	46
2.	Arc	1	12.	Bracket	1	22.	Flat Washer 8,4x24x12	2
3.	Bolt bracket	5	13.	Bolt M6x16 DIN7380-A2	2	23.	Flat Washer 17x30x1,3	2
4.	Lamp fixing bracket	10	14.	Bolt M6x25 DIN7380-A2	2	24.	Spring washer A6	2
5.	Bolt bracket	2	15.	Bolt M8x25 DIN933-A2	38	25.	Spring washer A8	20
6.	Clamp	2	16.	Bolt M8x60 DIN933-A2	2	26.	Spring washer A16	2
7.	Bracket	1	17.	Bolt M16x40 DIN933-galZn	2	27.	Brace-it installation tool	2
8.	Angeled plate	1	18.	Nut M6 DIN985-A2	2			
9.	Angeled plate	1	19.	Nut M8 DIN985-A2	20			
10.	Bracket	1	20.	Flat Washer 6,4x18x1,6	6			

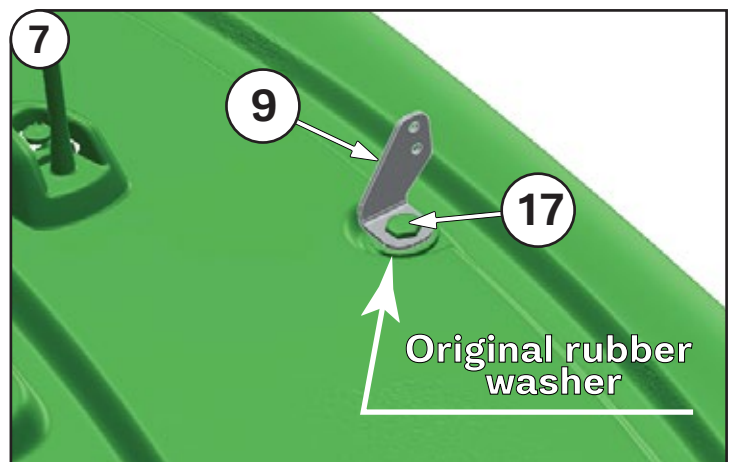
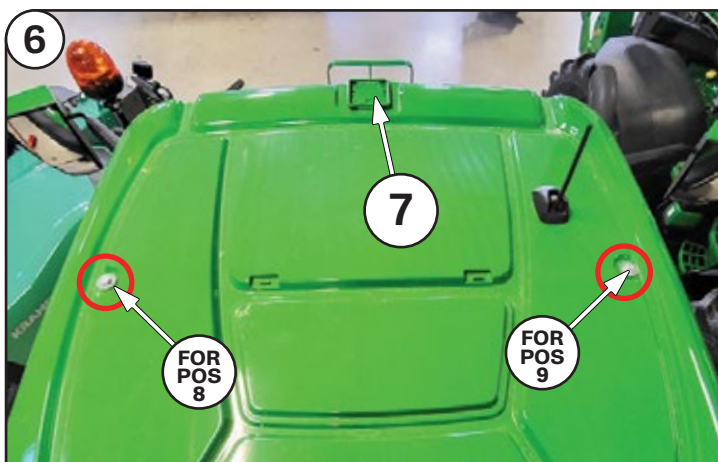
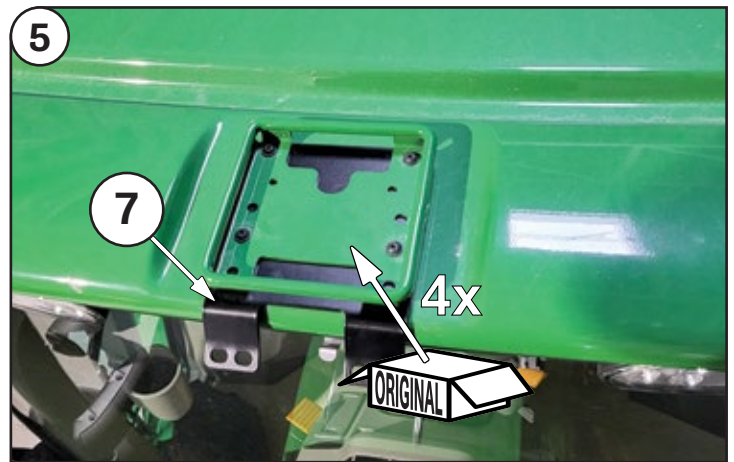
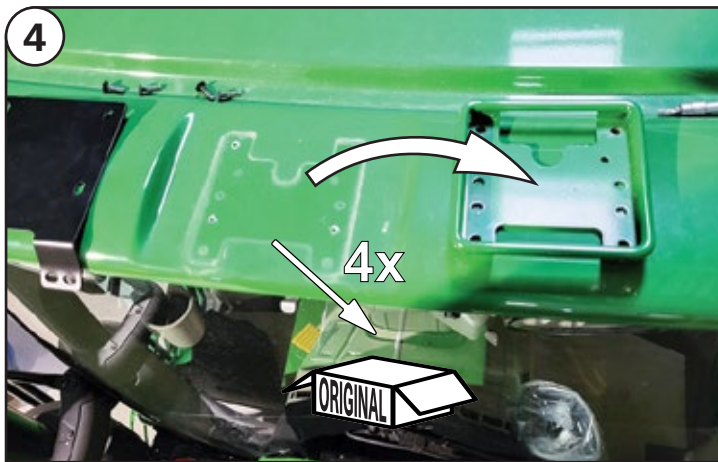
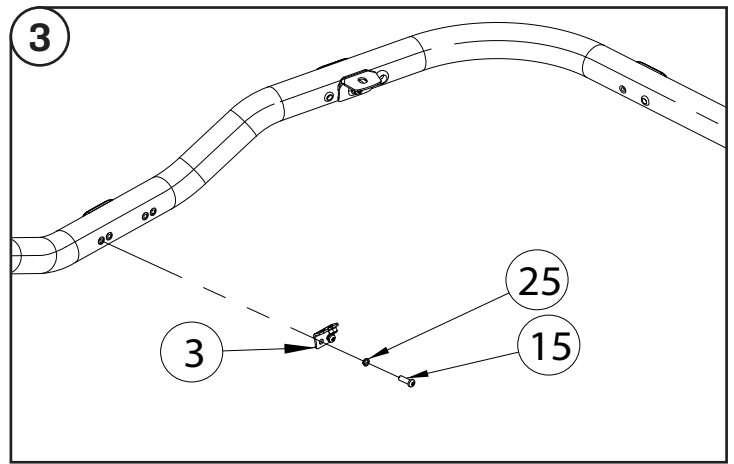
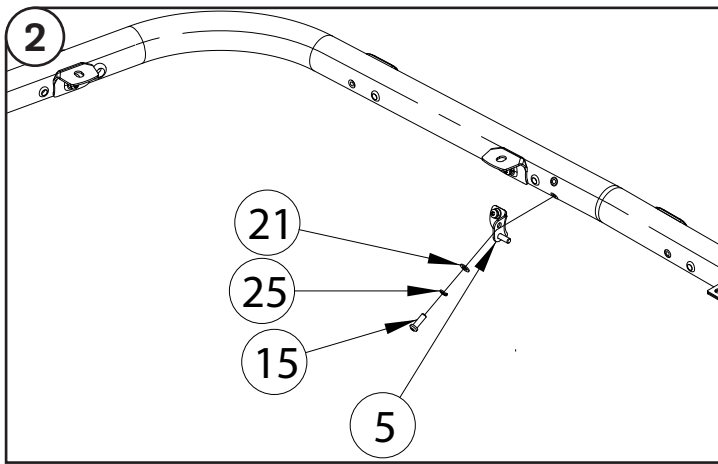
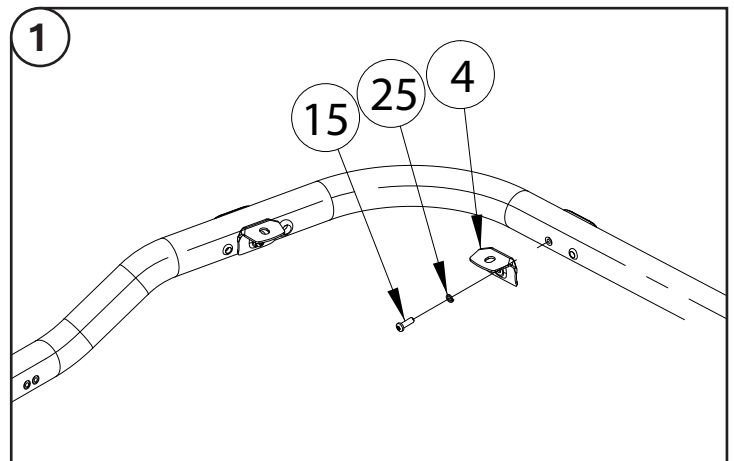
# NB!

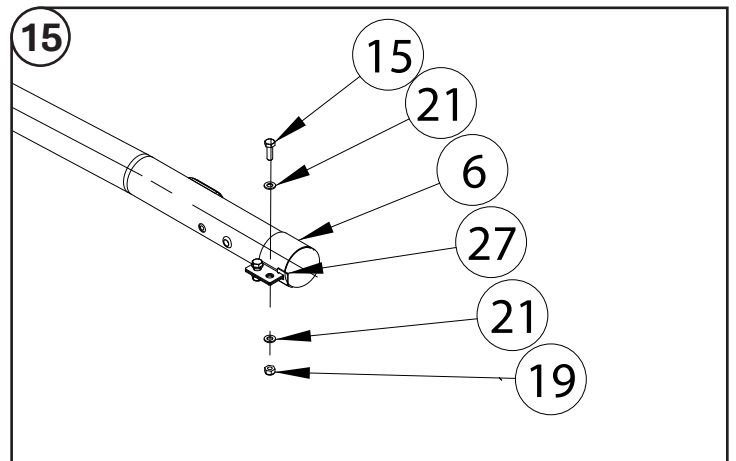
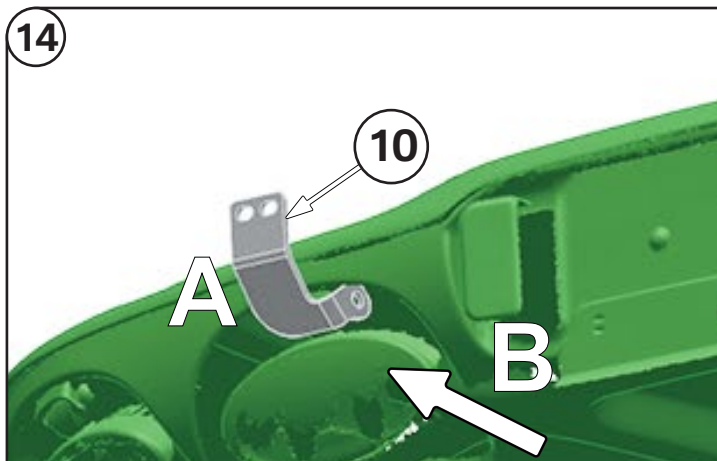
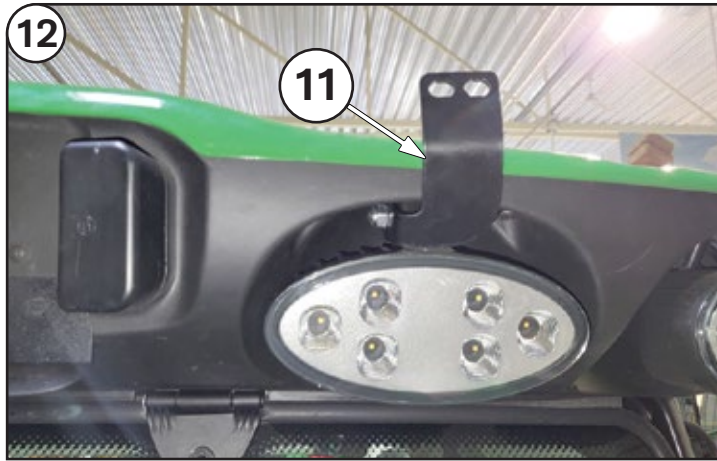
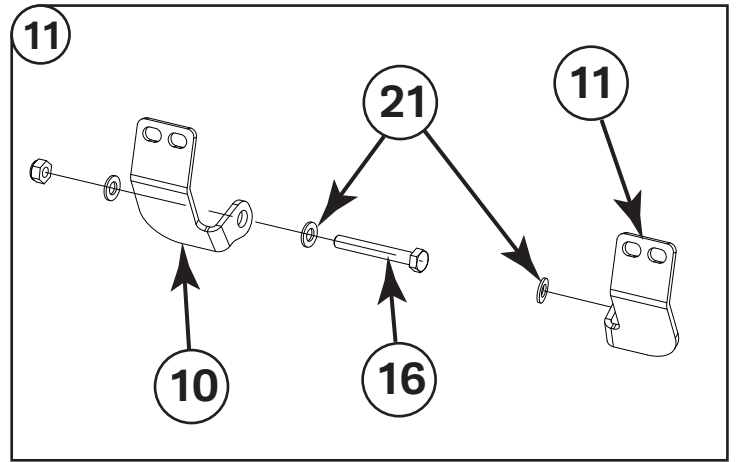
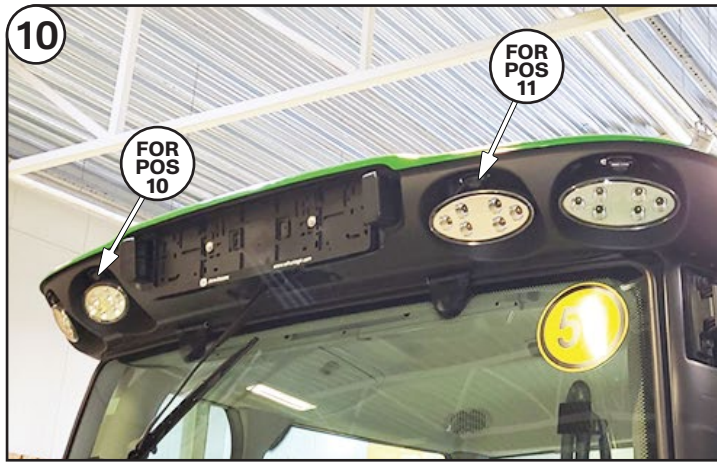
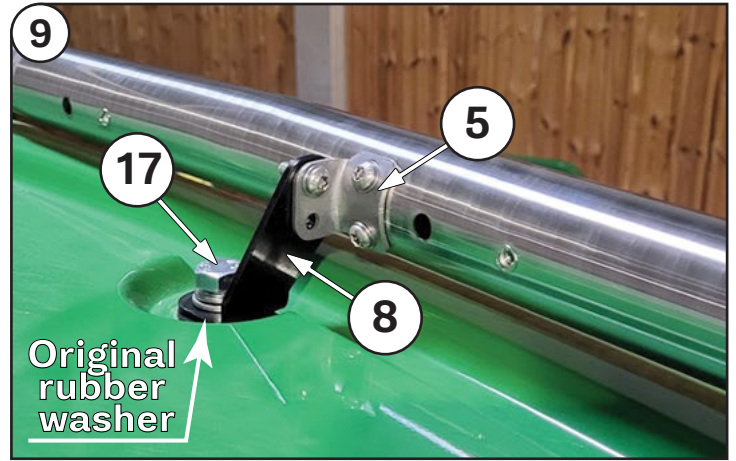
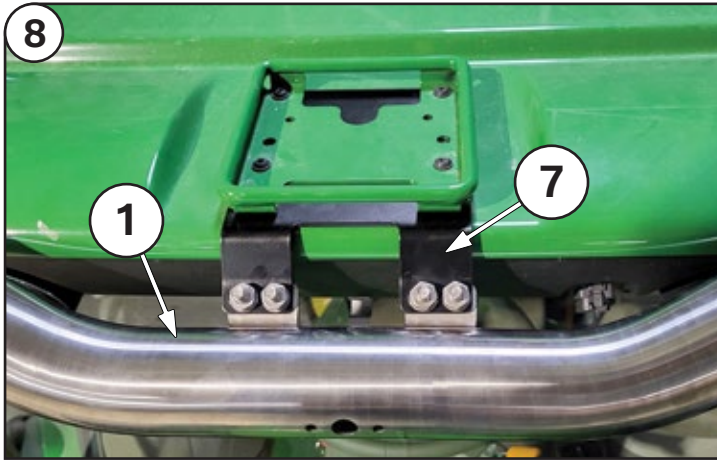


To prevent cold welding, use cold weld grease or engine oil



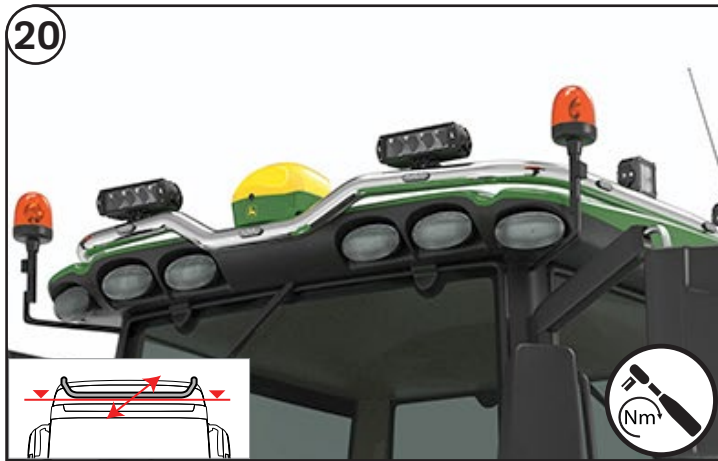
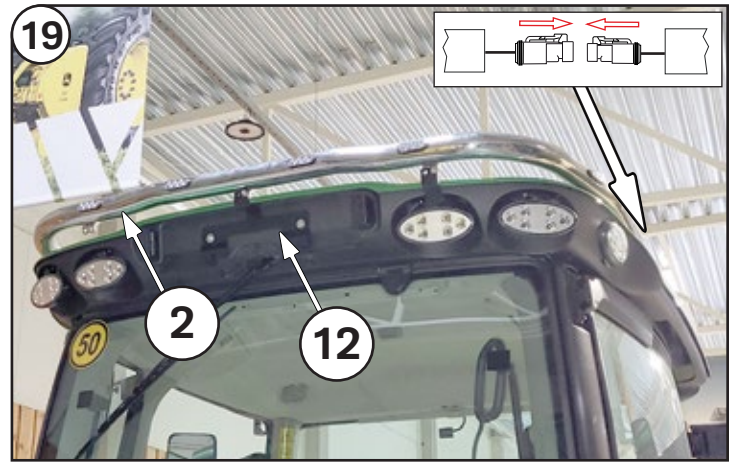
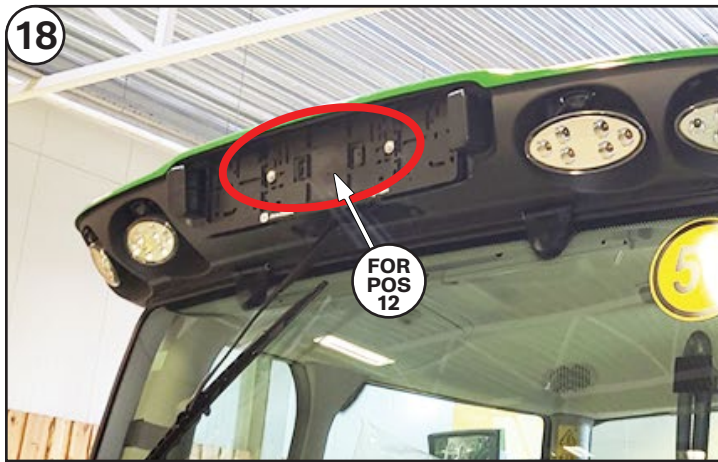
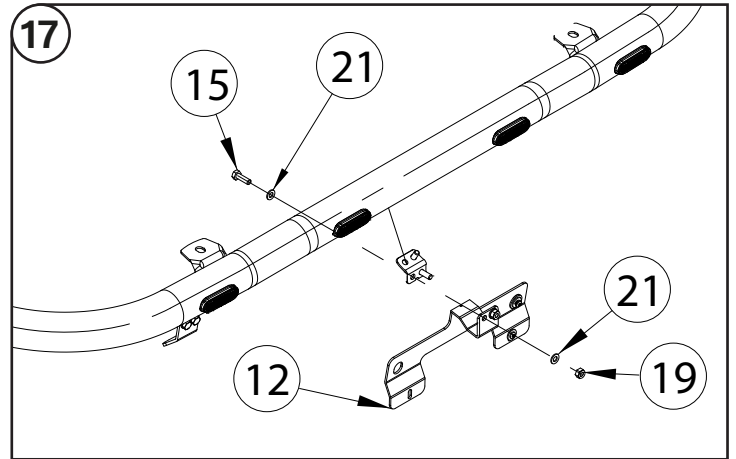
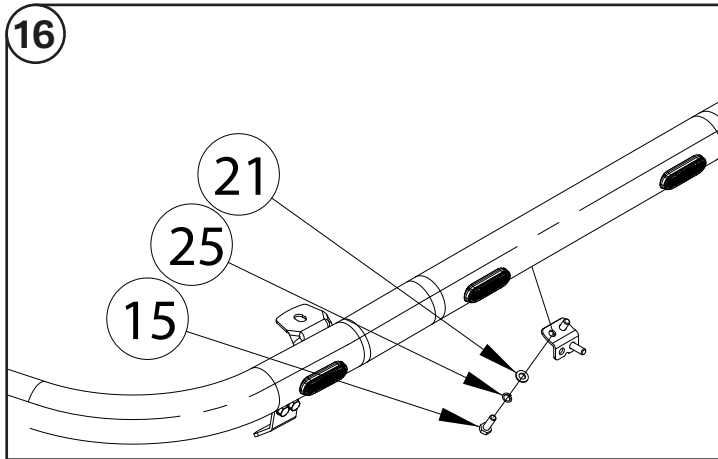
Installation of the lights must be carried out by a qualified electrician only





# John Deere 6R

Art. 887504  
Lamp holder



Check and retighten the fasteners after each 10 000km



Clean and wash the product twice a month to prevent corrosion

In case of any defects or damage to the METEC product upon delivery, contact the reseller or point of sale where you made your purchase for resolution