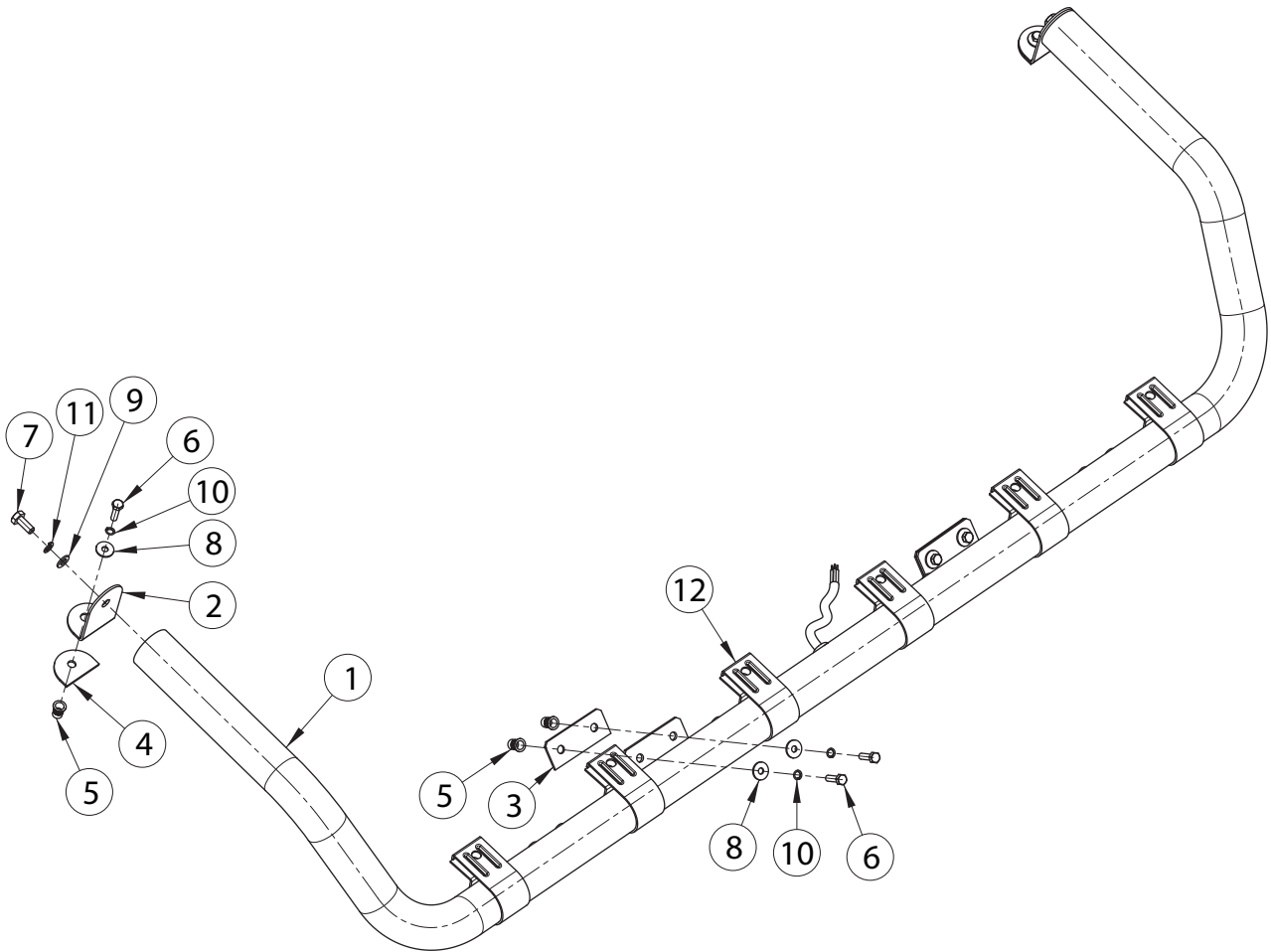


BATD183



- | | |
|---|---|
| 1. Laternakandur / lampholder / носитель фар | 1 |
| 2. Kronstein / bracket / кронштейн | 2 |
| 3. Kompensaator / rubber plate / компенсатор | 2 |
| 4. Kompensaator / rubber plate / компенсатор | 2 |
| 5. Tömbemutter / blind rivet nut / втяжная гайка M8 | 6 |
| 6. Polt / bolt / болт M8x30 mm | 6 |
| 7. Polt / bolt / болт M10x25 mm | 2 |
| 8. Seib / washer / шайба 8,4x24x2 mm | 6 |
| 9. Seib / washer / шайба 10,5x20x2 mm | 2 |
| 10. Vedruseib / spring washer / пружинная шайба A8 | 6 |
| 11. Vedruseib / spring washer / пружинная шайба A10 | 2 |
| 12. Laternaklammer / lamp clamp / зажим для фар | 6 |



- Attach brackets no. 2 to the lampholder. Place the lampholder to the roof and mark the position of the holes. Drill 6 holes d=13 mm through the roof. Cover the holes with silicone and mount blind rivet nuts M8. Mount the lampholder.

Dimensions : 17.5 x 58 x 1.75 m

Poids : 11.3 Kg

Temps de montage : 30 min



13
17



13 mm

