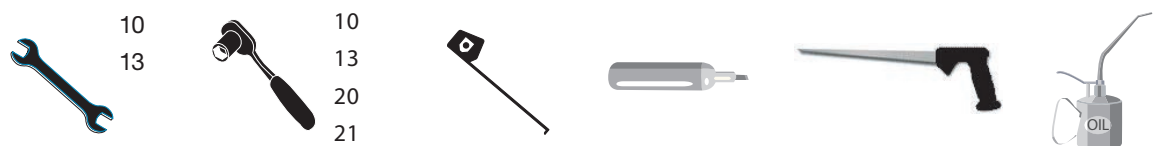
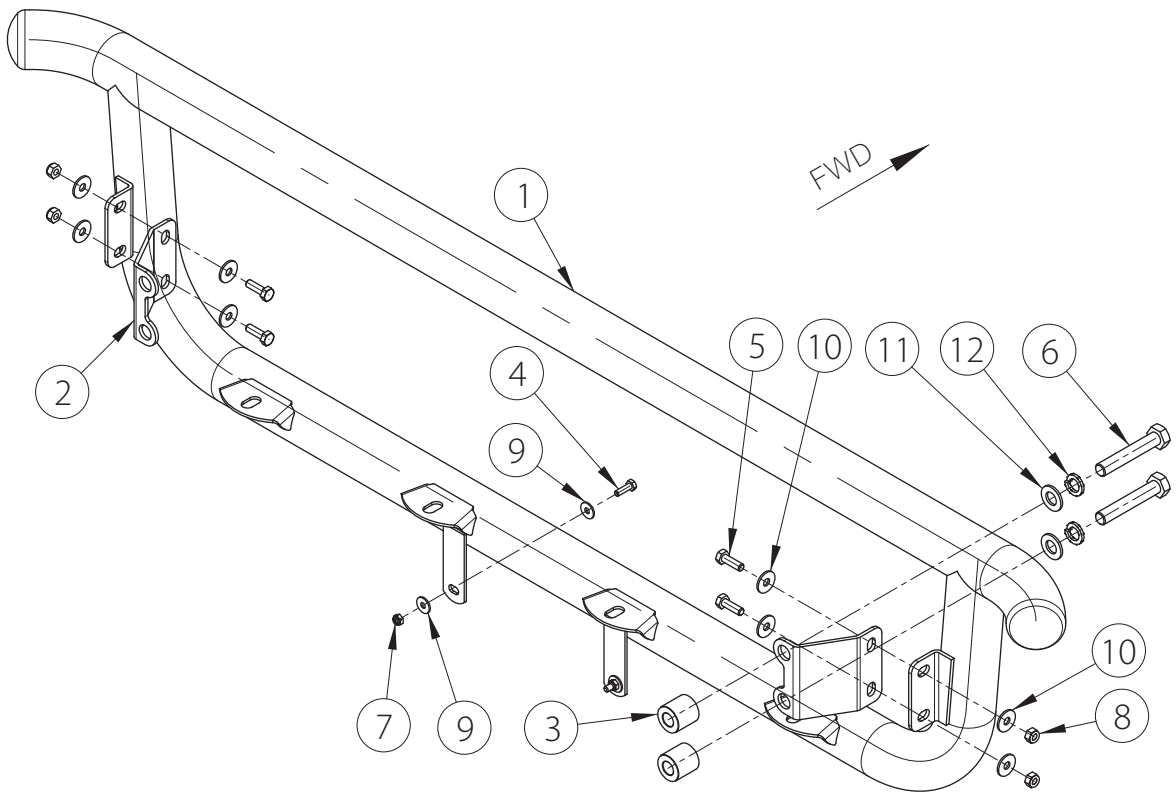


BATV340

Volvo FE 2006-



- | | |
|---|---|
| 1. Laternakandur / lampholder / носитель фар | 1 |
| 2. Kronstein / bracket / кронштейн | 2 |
| 3. Pucks / bushing / букса | 2 |
| 4. Polt / bolt / болт M6x20 mm | 2 |
| 5. Polt / bolt / болт M8x25 mm | 4 |
| 6. Polt / bolt / болт M14x1,5x80 mm | 2 |
| 7. Mutter / nut / гайка M6 DIN 985 | 2 |
| 8. Mutter / nut / гайка M8 DIN 985 | 4 |
| 9. Seib / washer / шайба 6,4x18x1,6 mm | 4 |
| 10. Seib / washer / шайба 8,4x24x2 mm | 8 |
| 11. Seib / washer / шайба 15x28x2,5 mm | 2 |
| 12. Vedruseib / spring washer / пружинная шайба A14 | 2 |





Pilt 1 / Pic. 1 / Рис. 1



Pilt 2 / Pic. 2 / Рис. 2

ENG • Remove plastic covers (pic. 1). Remove original bolts (pic. 2).

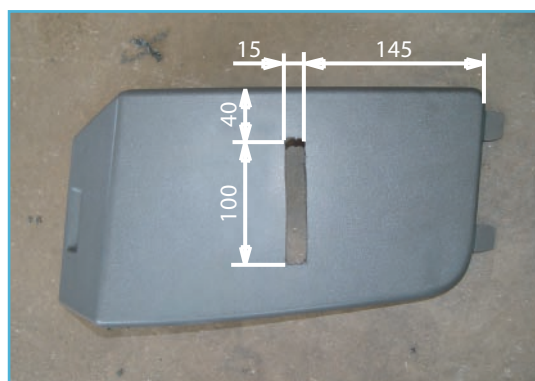


Pilt 3 / Pic. 3 / Рис. 3



Pilt 4 / Pic. 4 / Рис. 4

ENG • Mount bushings no. 3 and brackets no. 2 (pic. 3 and 4).



Pilt 5 / Pic. 5 / Рис. 5



Pilt 6 / Pic. 6 / Рис. 6

ENG • Mark and make necessary incisions into the plastic covers (pic. 5). Remount the plastic covers (pic. 6). Mount the lampholder. Mount the license plate to the lampholder. Use oil on all stainless steel bolts.

- Measures : 100x425x1495 mm.
- Weight : 9,4 kg.
- Time of mounting : 45 min.