

BATV158
 BATV159
 BATV458



Volvo FH Globetrotter
 Volvo FH Globetrotter XL '04

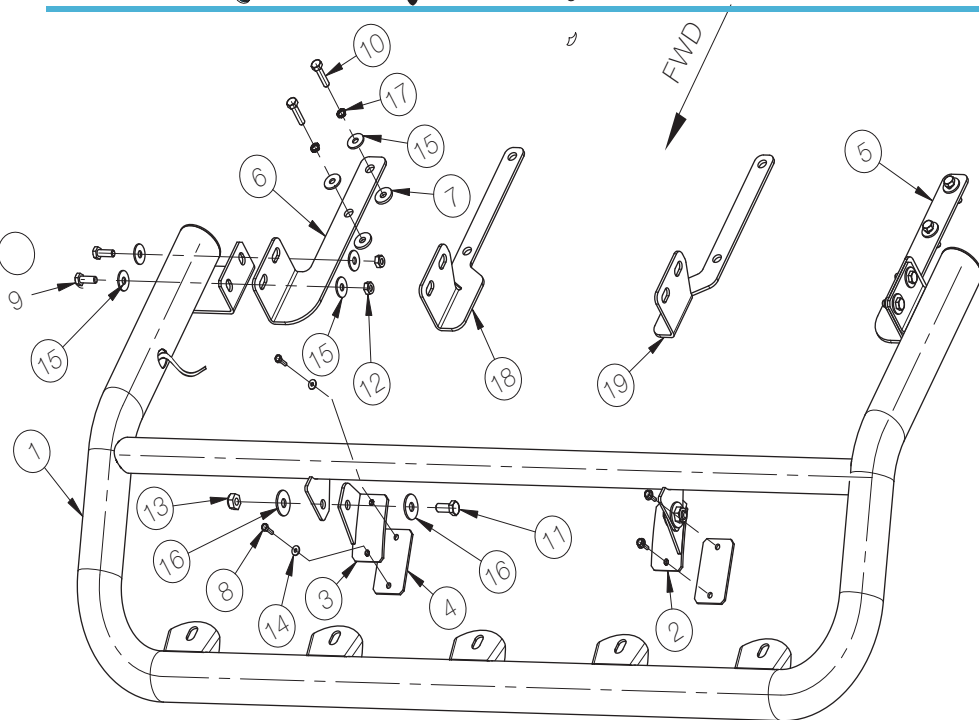
Lampholder Ø 60

1. Laternakundur / lampholder	1
2. Kronstein / bracket	1
3. Kronstein / bracket	1
4. Kompensaator / rubber plate	2
5. Kronstein / bracket	1
6. Kronstein / bracket	1
7. Kummiseib / rubber washer	4
8. Kruvi / screw 4,2x16 mm	4
9. Polt / bolt M8x25 mm	4
10. Polt / bolt M8x30 mm	4

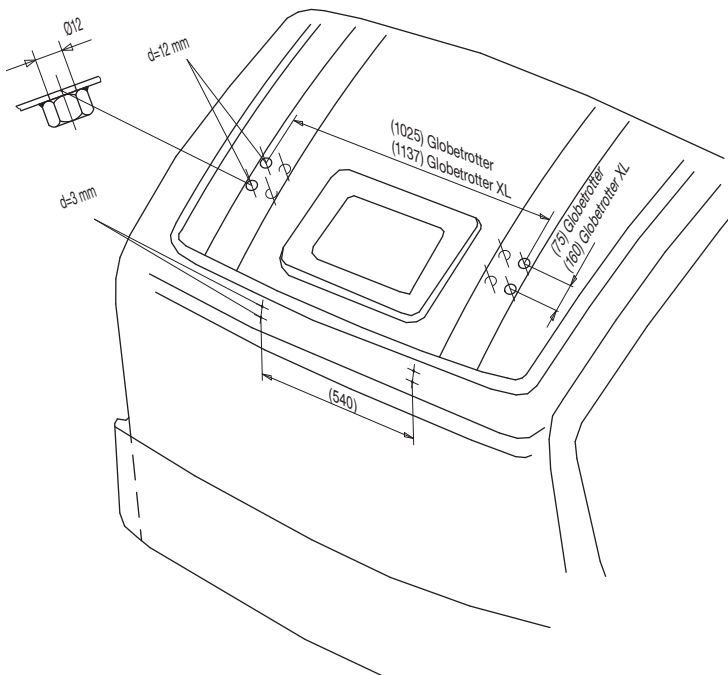
11. Polt / bolt M10x25 mm	2
12. Mutter / nut M8 DIN 985	4
13. Mutter / nut M10 DIN 985	2
14. Seib / washer 4,3x12x1 mm	4
15. Seib / washer 8,4x24x2 mm	12
16. Seib / washer 10,5x30x2,5 mm	4
17. Vedruseib / spring washer A8	4
18. Kronstein / bracket (XL)	1
19. Kronstein / bracket (XL)	1



- Mõõdud / Measures: 625x140x1340 mm.
- Kaal / Weight: 11,6 kg.
- Paigaldusaeg / Time of mounting: 60 min.



- 868158- For 5 lamps + cable
- 868159- For 5 lamps + cable + 3 LED-s
- 868458- For 4 lamps + cable



- ENG
- Drill 4 holes d=3 mm to the place of orig. fastenings shown on drawing no.1.
 - Drill 4 holes d=12 mm to the place of orig. fastenings shown on drawing no.1. Attention - don't damage the orig. nut.
 - Cover the drilled area with rust-proof agent and tighten with silicone.
 - Mount the lampholder.