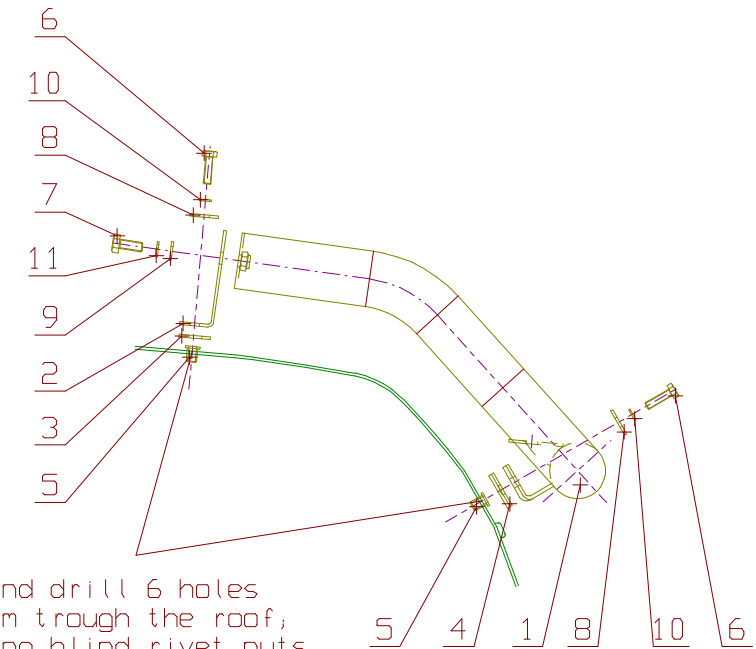
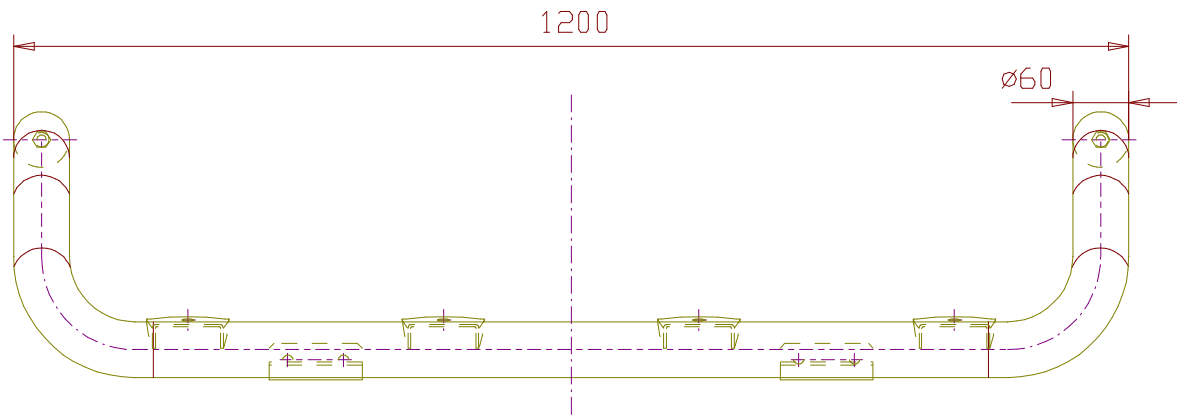


# BATV160-BATV161



Mark and drill 6 holes  
d=11 mm trough the roof,  
mounting blind rivet nuts.

\* To cover the drilled area with rust-proof agent  
and tighten with silicone

VOLVO FH GLOBETROTTER XL (868160)

	Pcs.
1 - Lamp holder, roof	1
2 - Bracket	2
3 - Rubber 34x60x3 mm	2
4 - Rubber 40x100x3 mm	2
5 - Blind rivet nut M8	6
6 - Bolt M8x30 mm	6
7 - Bolt M10x25 mm	2
8 - Washer 8.4x24x2 mm	6
9 - Washer 10.5x20x2 mm	2
10 - Spring washer A 8	6
11 - Spring washer A 10	2

