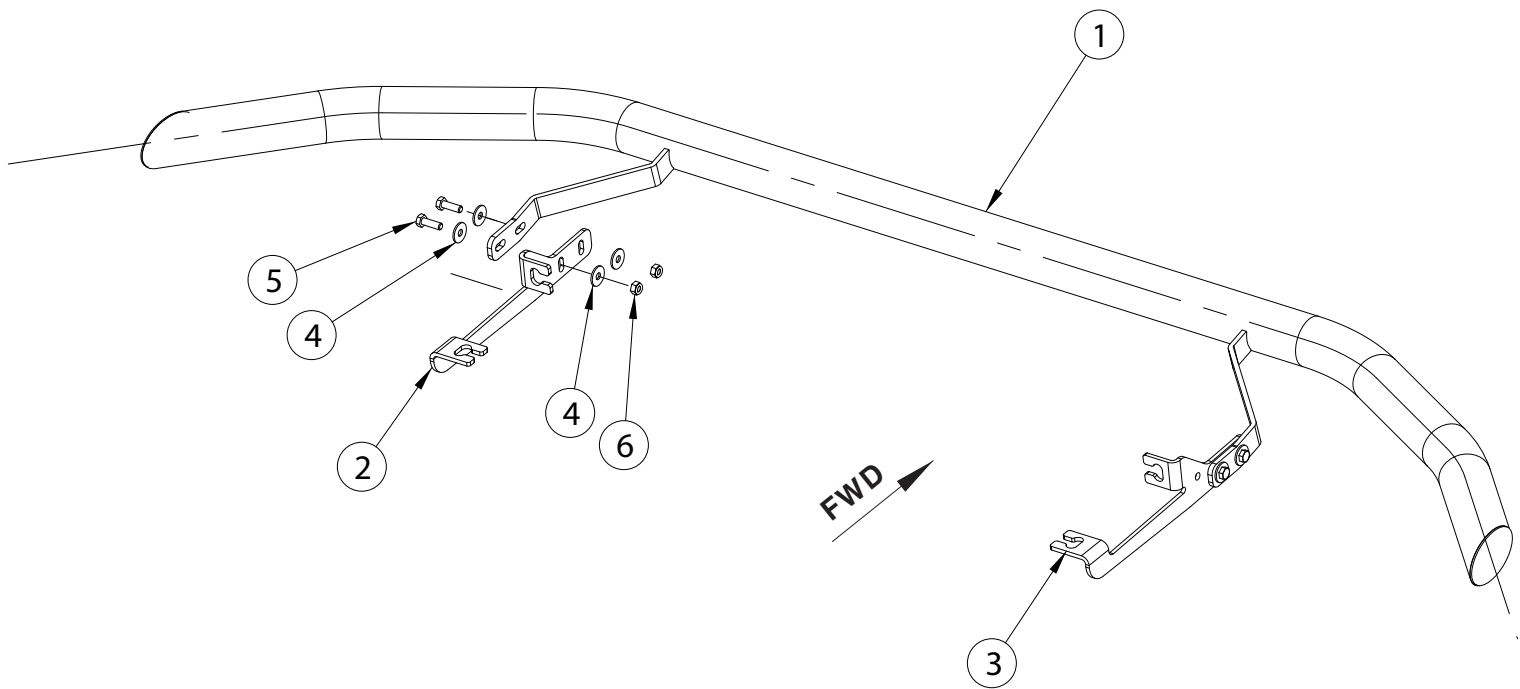


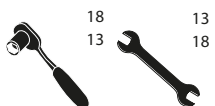


- 1. Esistangekaitse / Cityguard / Передняя защита / Cityguard 1
- 2. Kronstein / bracket / кронштейн / Konsole 1
- 3. Kronstein / bracket / кронштейн / Konsole 1
- 4. Seib / washer / шайба / Scheibe 8,4x24x2 8
- 5. Polt / bolt / болт / Bolzen M8x25 4
- 6. Mutter / nut / гайка / Mutter M8 4

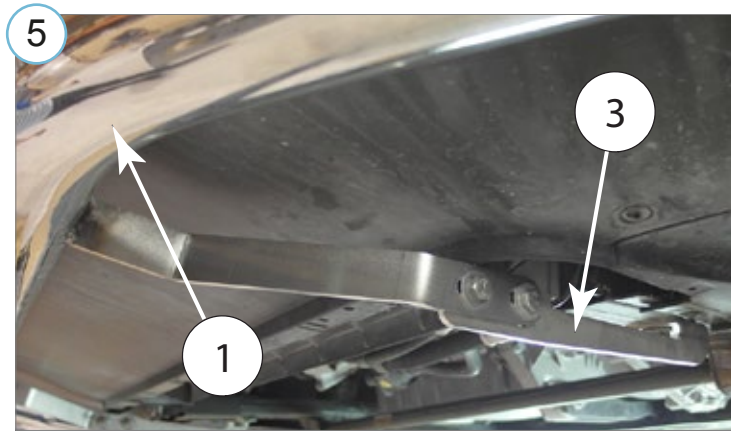
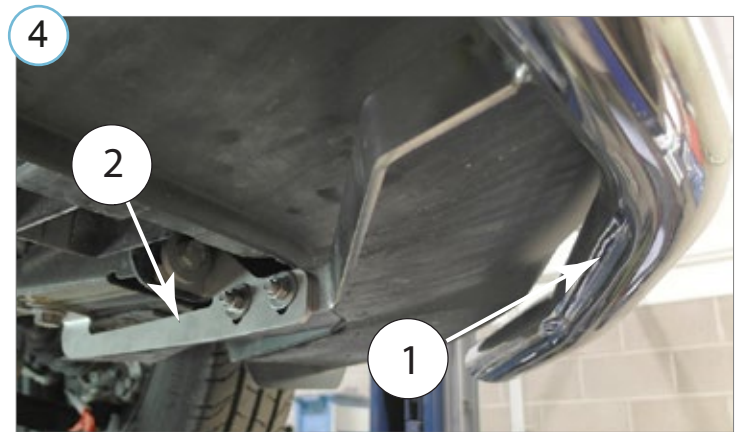
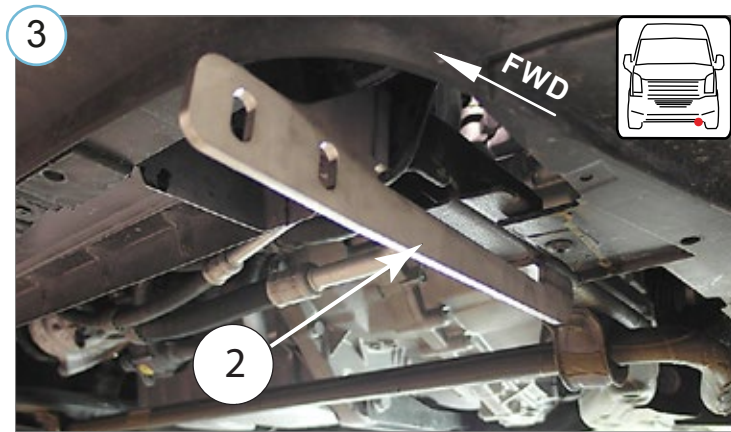
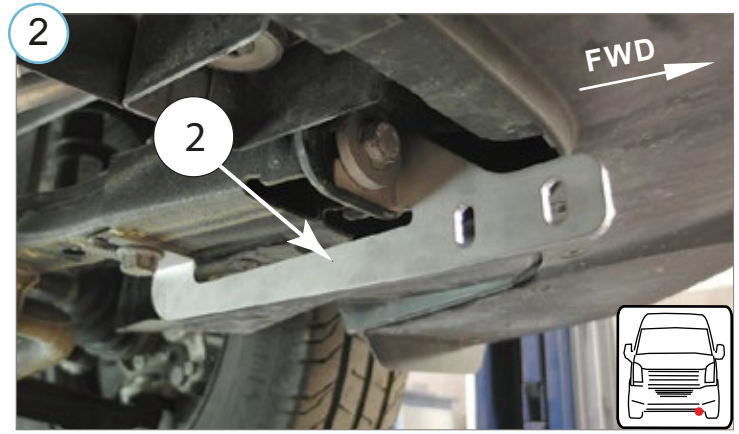
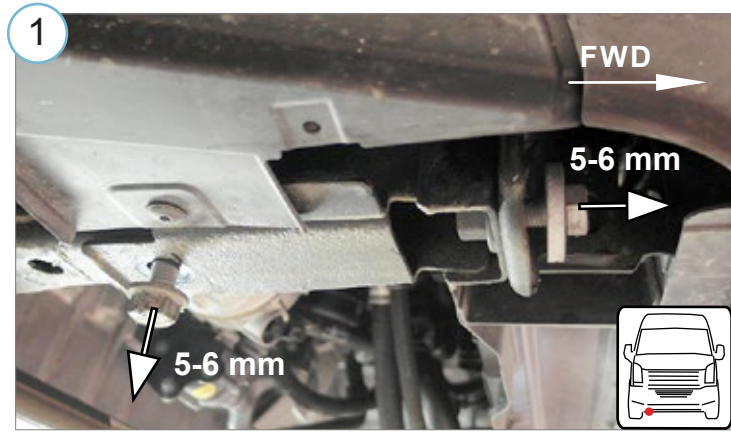


Poids : 6.8 Kg
 Temps de montage : 30 min

Outils nécessaires



M8 - 25Nm



Installation of the DRL lights can be carried out by qualified electrician only, in accordance with the Philips's instructions