

Renault T 21- high roof

Mounting instructions Art.

BATR303, BATR303-P

Lamp holder HYDRA



Weight: 23 kg

Time of mounting w/o wiring: 90 min

Required tools:

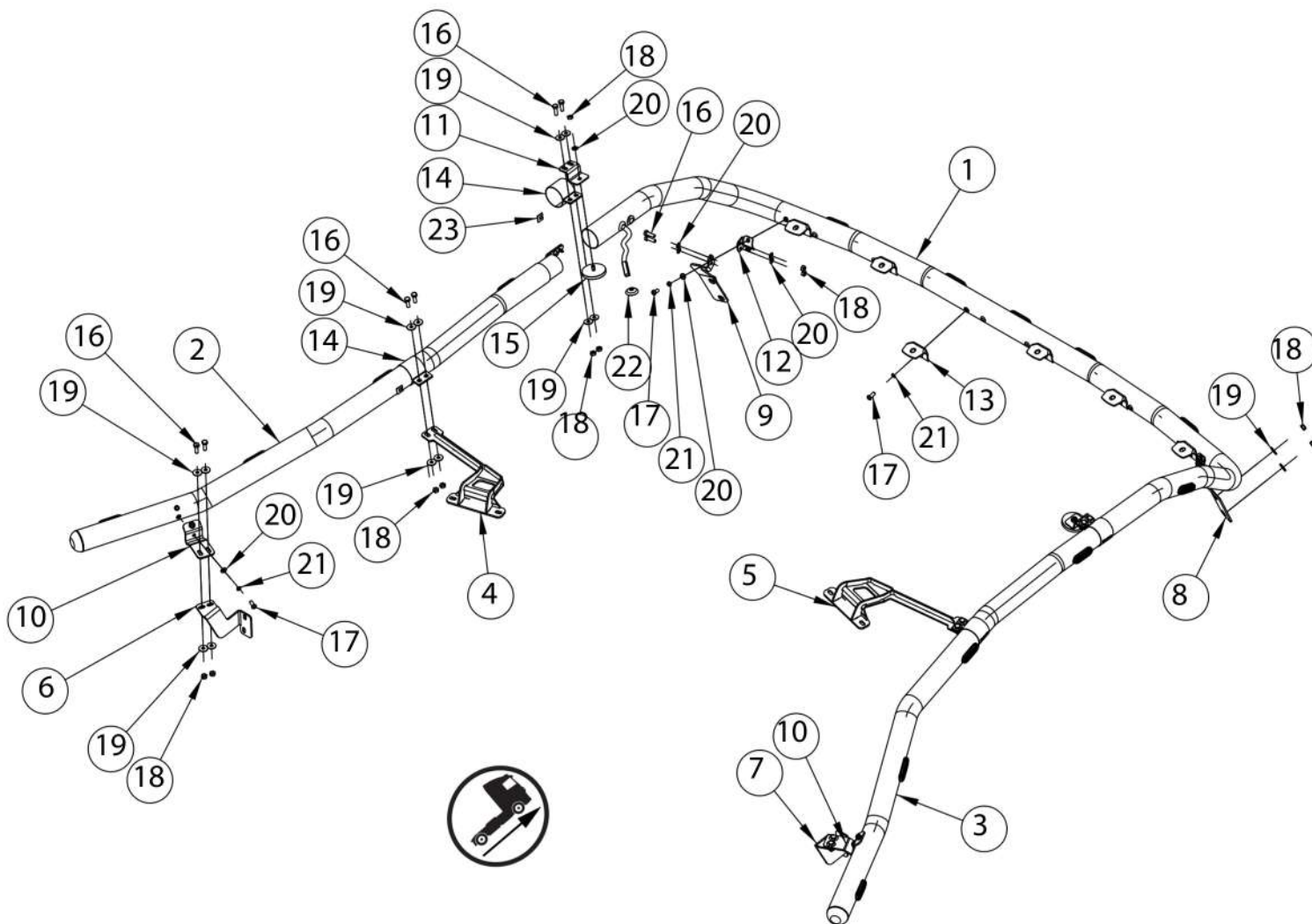


A2 / A4

M8 - 17 Nm

Renault T 21- high roof

BATR303, BATR303-P
Lamp holder HYDRA



Pos.	Description	QTY
1.	Arc	1
2.	Arc	1
3.	Arc	1
4.	Bracket	1
5.	Bracket	1
6.	Bracket	1
7.	Bracket	1
8.	Bracket	1
9.	Bracket	1
10.	Bracket	2

Pos.	Description	QTY
11.	Angeled plate	2
12.	Bolt bracket	2
13.	Lamp fixing bracket	6
14.	Clamp	4
15.	Magnetic fastening M8	2
16.	Bolt M8x25 DIN933-A2	16
17.	Bolt M8x20 DIN7380-A2	14
18.	Nut M8 DIN985-A2	22
19.	Flat Washer 8,4x24x2	28
20.	Flat Washer 8,4x16x1,6	18

Pos.	Description	QTY
21.	Spring washer A8	14
22.	Grommet	1
23.	Brace-it installation tool	4

Renault T 21- high roof

BATR303, BATR303-P
Lamp holder HYDRA

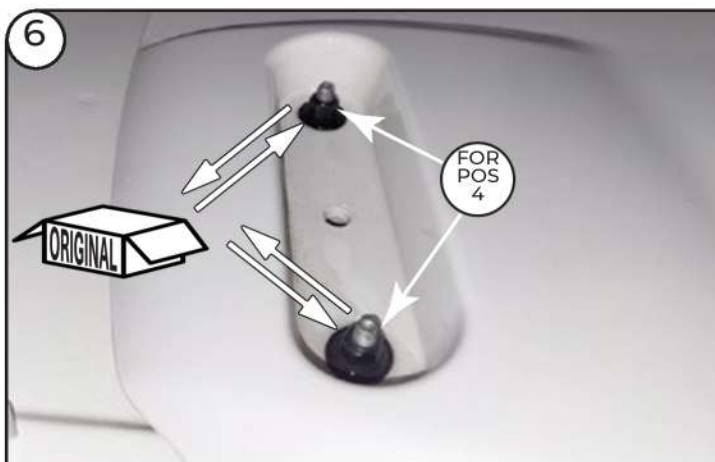
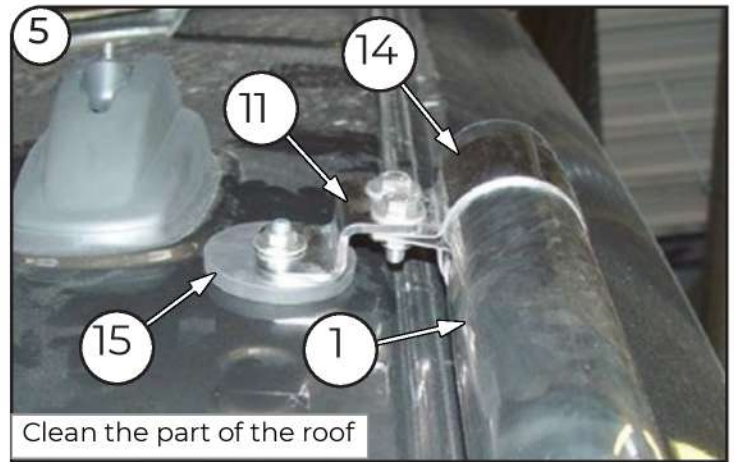
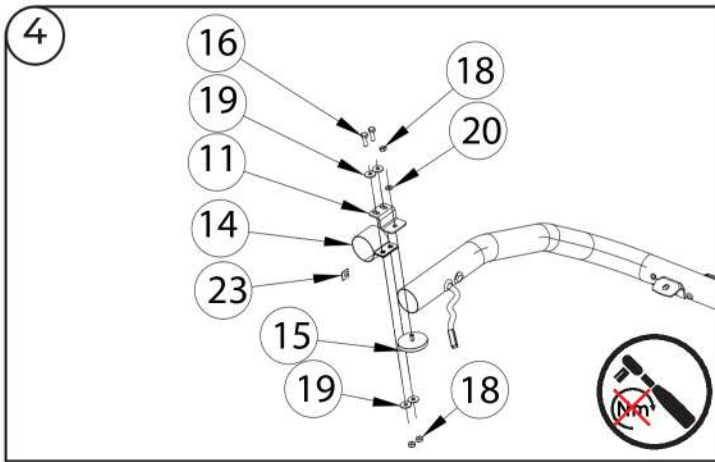
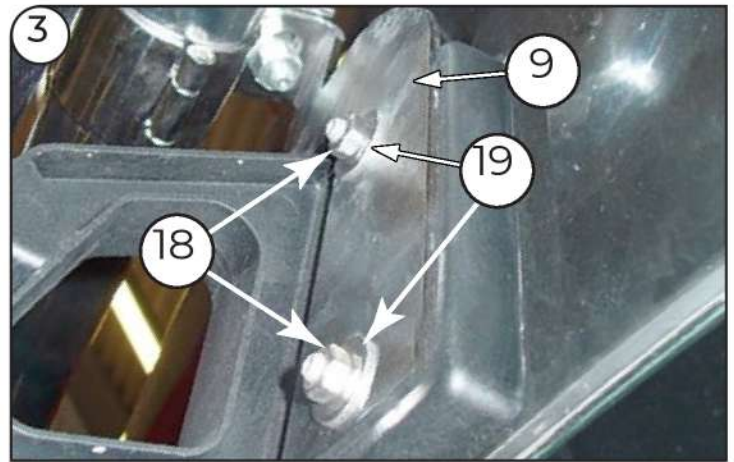
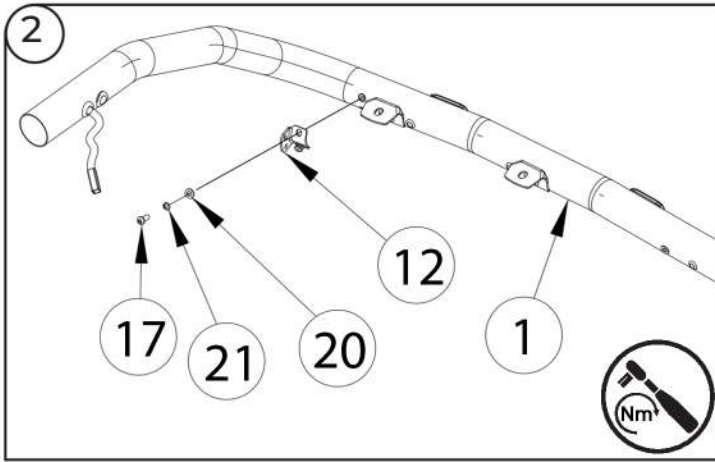
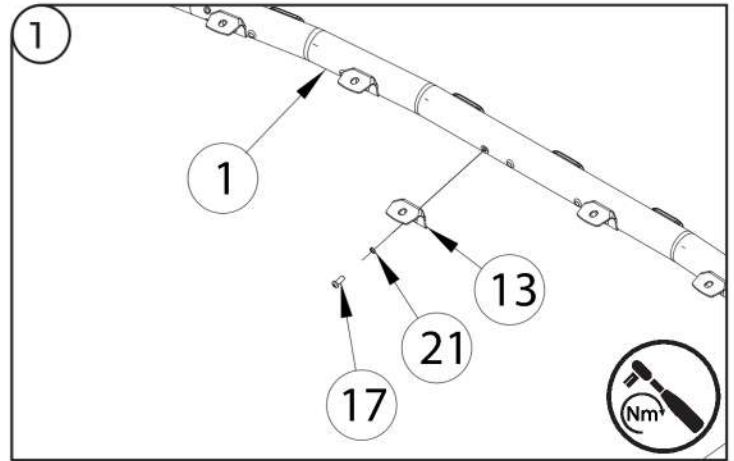
NB!



To prevent cold welding, use cold weld grease or engine oil

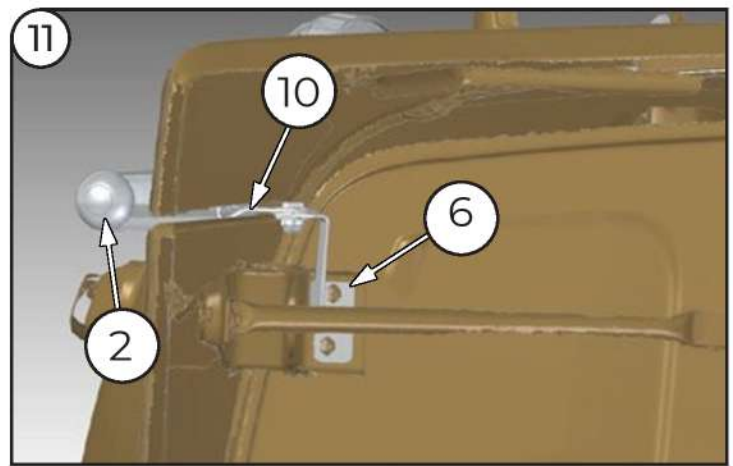
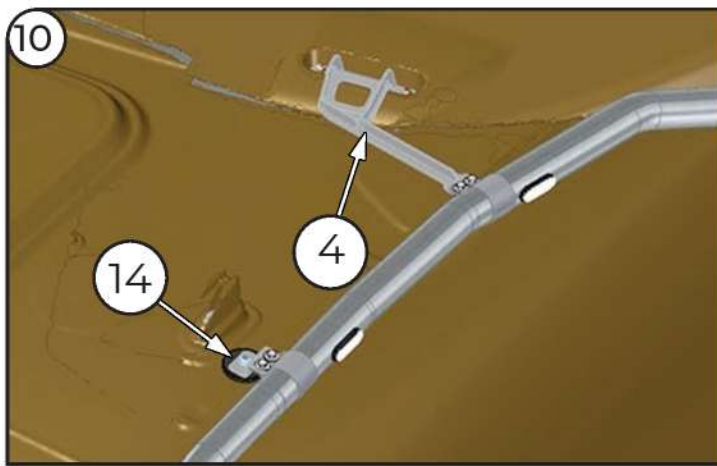
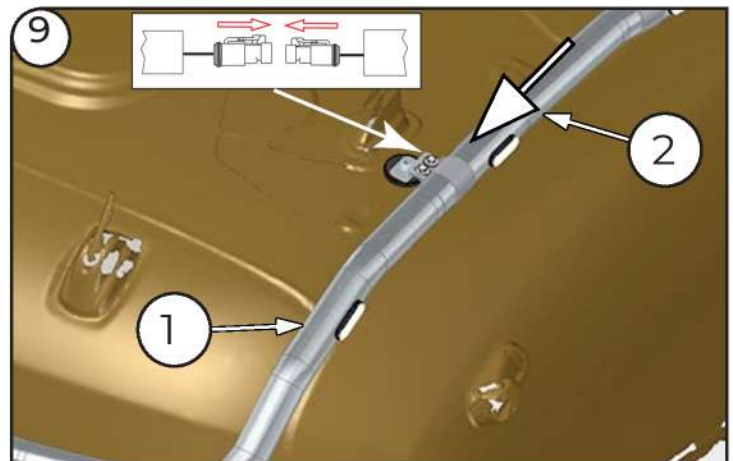
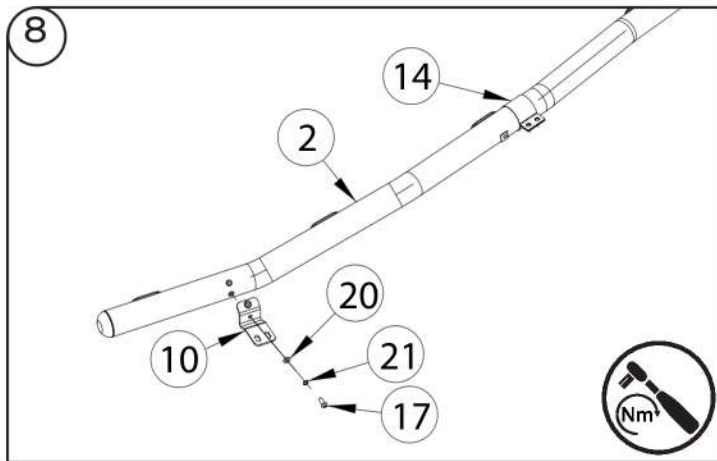


Installation of the lights must be carried out by a qualified electrician only



Renault T 21- high roof

BATR303, BATR303-P
Lamp holder HYDRA



Check and retighten the fasteners after each 10 000km



Clean and wash the product twice a month to prevent corrosion