



Renault Master 24-

Mounting instructions
 Art. 82860670, 82860671
 Nordicbar

Scan the QR code
 for translated
 instructions or visit
metec.ee/instructions



Weight: 11,7 kg
 Time of mounting w/o wiring: 90 min

Required tools:

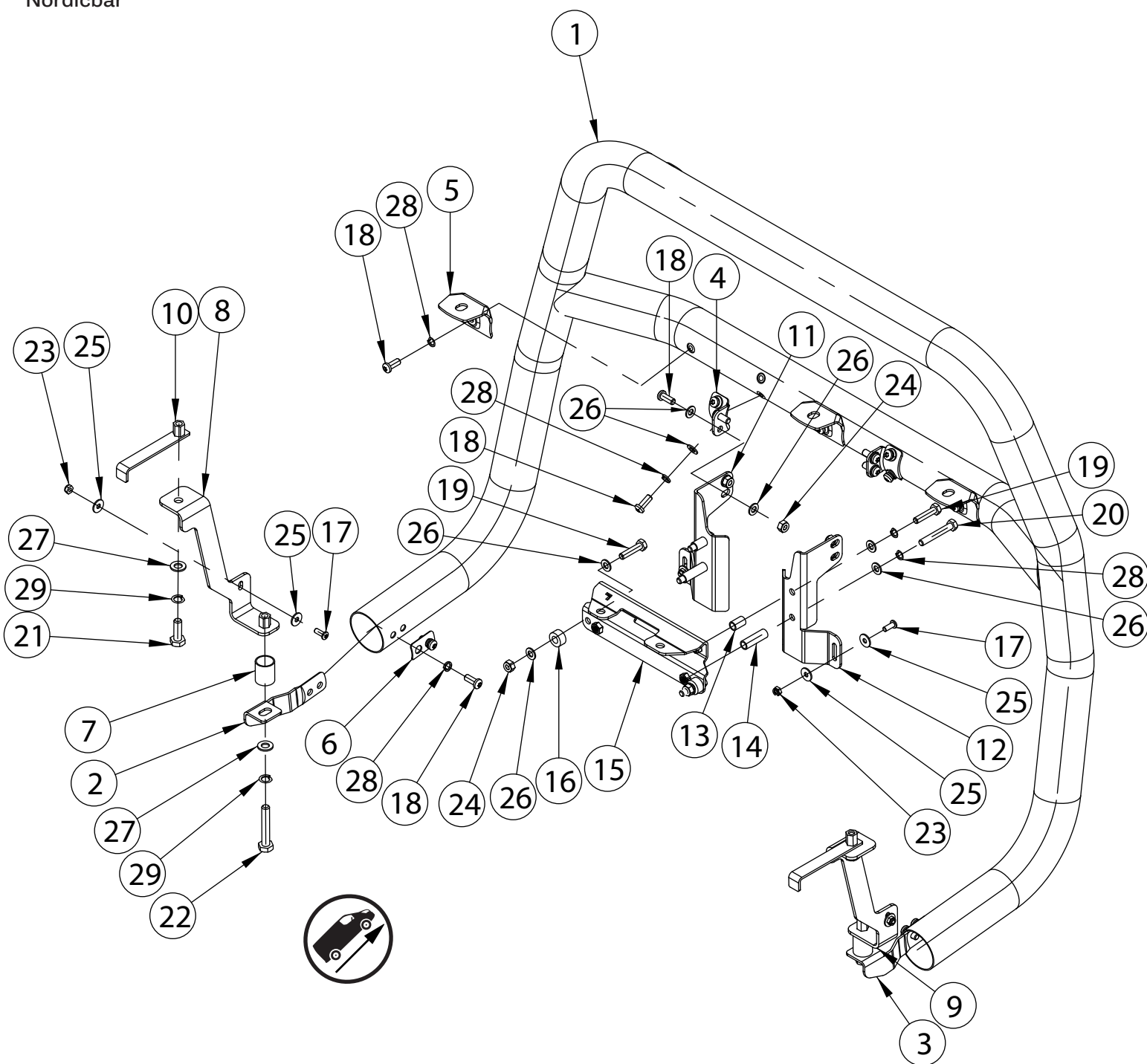


A2 / A4	
M6	- 7 Nm
M8	- 17 Nm
M10	- 33 Nm

Renault Master 24-

Art. 82860670, 82860671

Nordicbar



Pos	Description	QTY	Pos	Description	QTY	Pos	Description	QTY
1.	Nordicbar	1	11.	Bracket	1	21.	Bolt M10x30 DIN933-A2	2
2.	Bracket	1	12.	Bracket	1	22.	Bolt M10x60 DIN933-A2	2
3.	Bracket	1	13.	Bushing	2	23.	Nut M6 DIN985-A2	4
4.	Bolt bracket	2	14.	Bushing	2	24.	Nut M8 DIN985-A2	6
5.	Lamp fixing bracket	3	15.	Bracket	1	25.	Flat Washer 6,4x18x1,6	8
6.	Square washer	2	16.	Bushing	2	26.	Flat Washer 8,4x16x1,6	20
7.	Bushing	2	17.	Bolt M6x16 DIN7380-A2	4	27.	Flat Washer 10,5x20x2	4
8.	Bracket	1	18.	Bolt M8x20 DIN7380-A2	15	28.	Spring washer A8	15
9.	Bracket	1	19.	Bolt M8x35 DIN933-A2	4	29.	Spring washer A10	4
10.	Plate nut M10	2	20.	Bolt M8x55 DIN933-A2	2			

Renault Master 24-

Art. 82860670, 82860671

Nordicbar

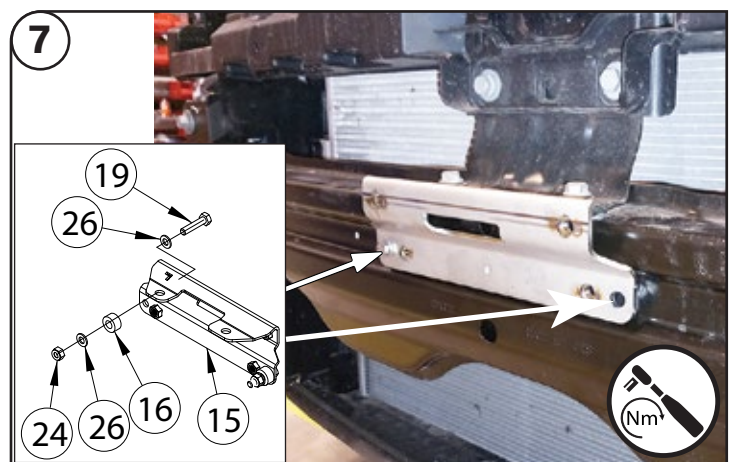
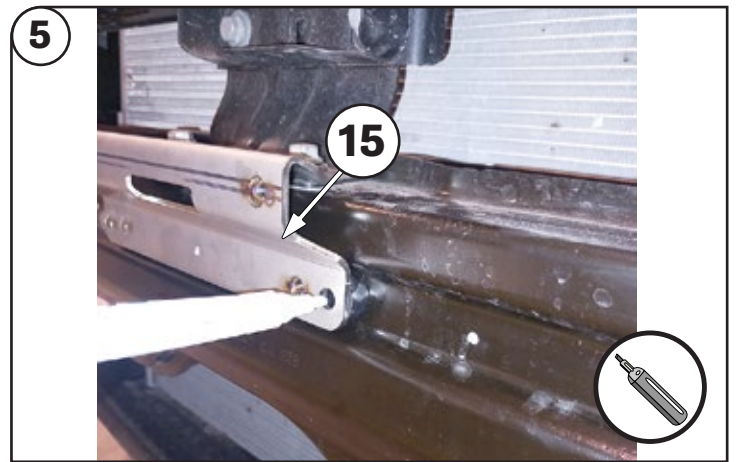
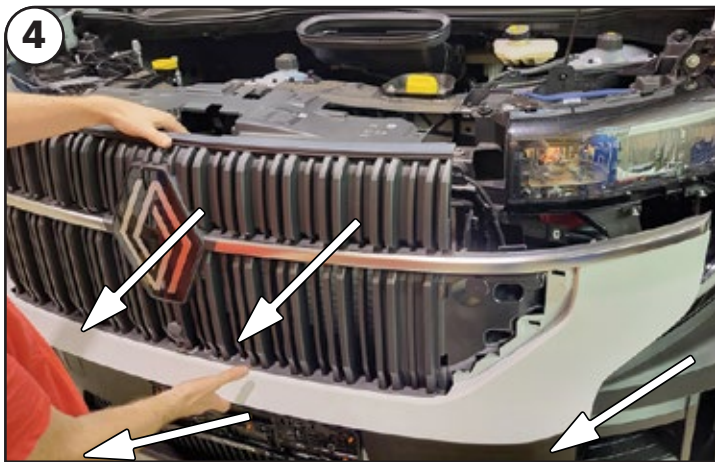
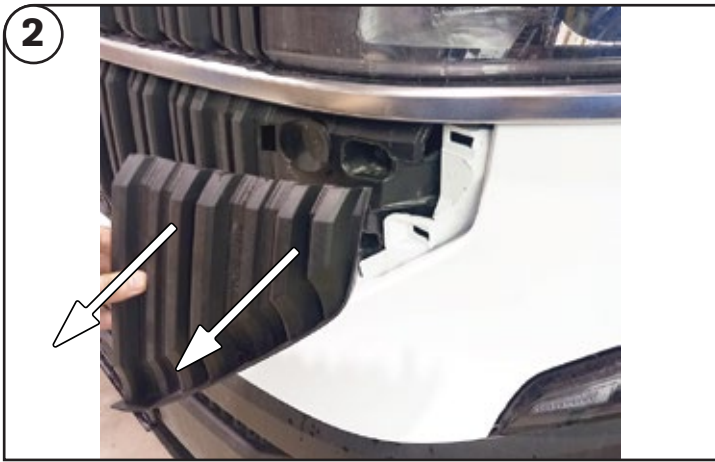
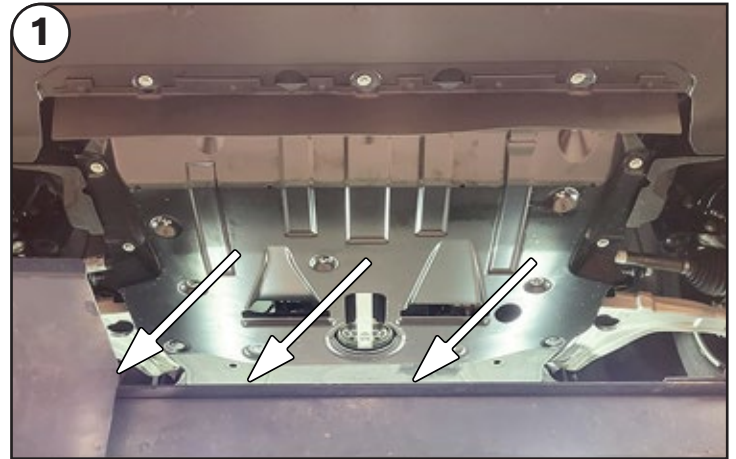
NB!



To prevent cold welding, use cold weld grease or engine oil



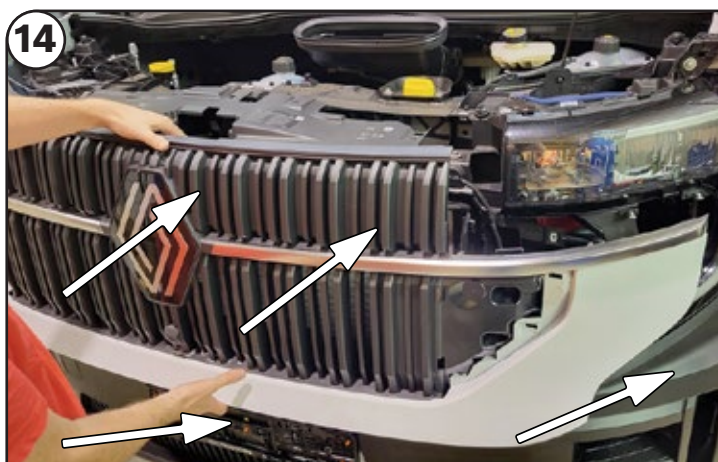
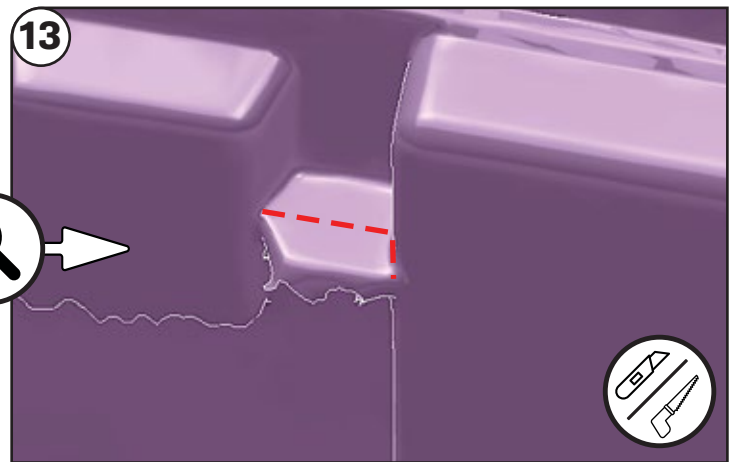
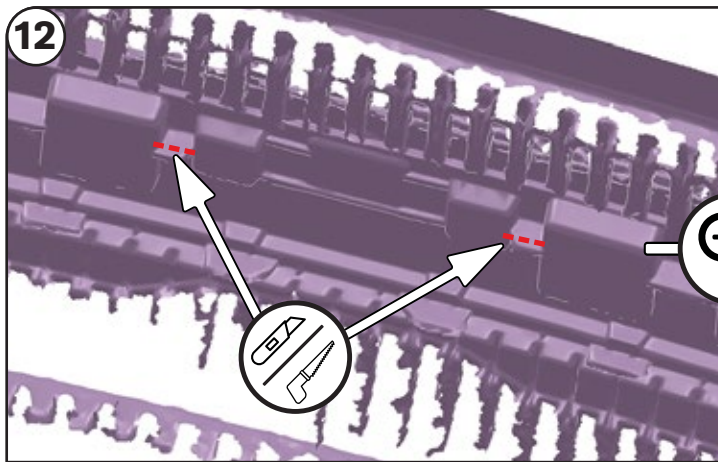
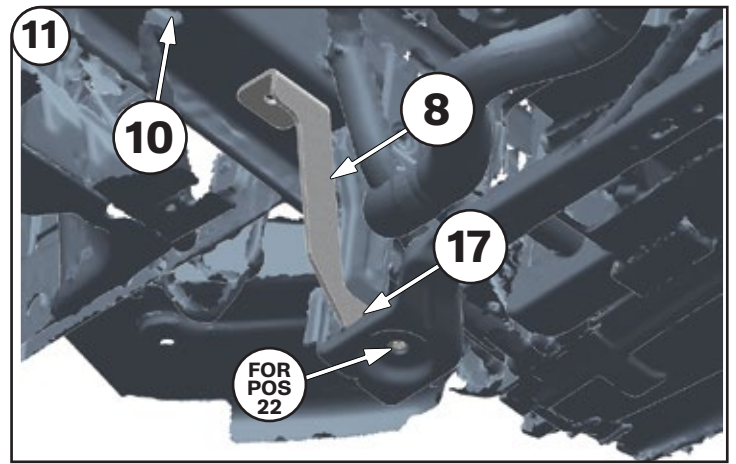
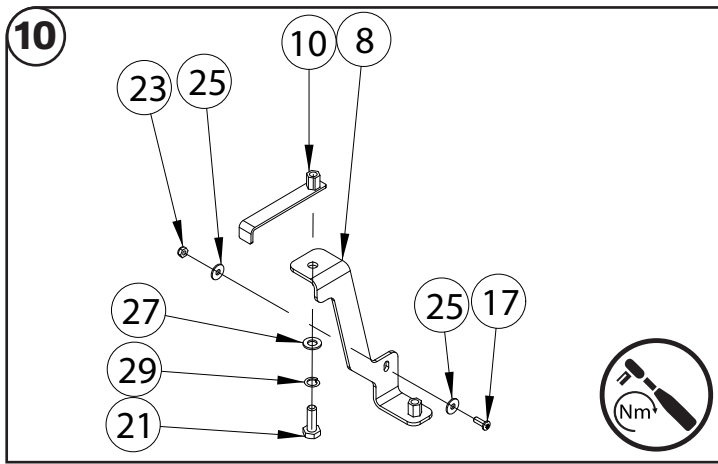
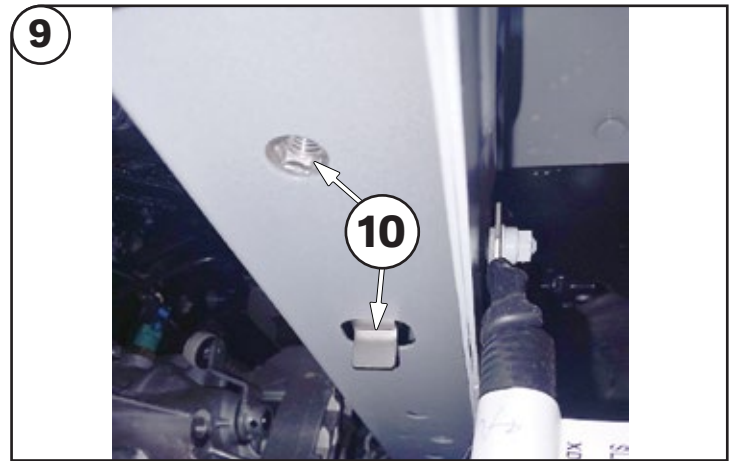
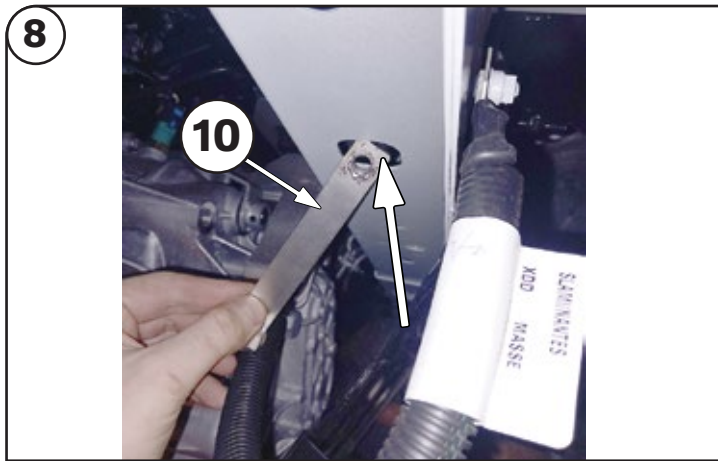
Installation of the lights must be carried out by a qualified electrician only



Renault Master 24-

Art. 82860670, 82860671

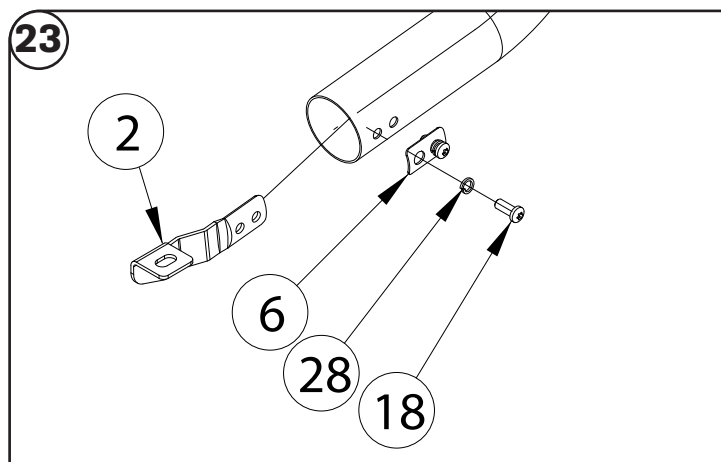
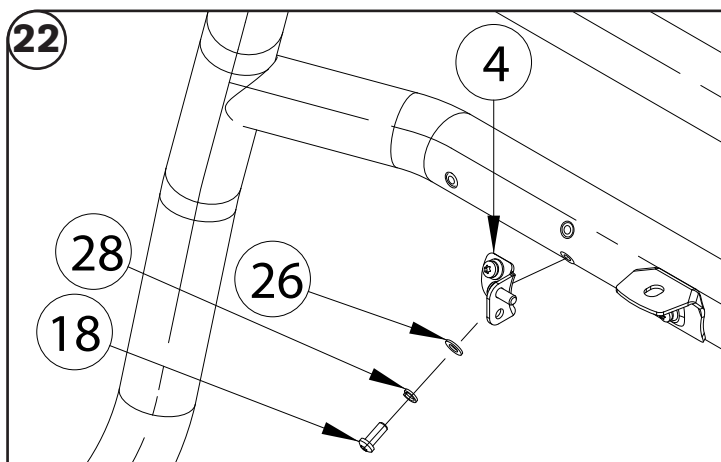
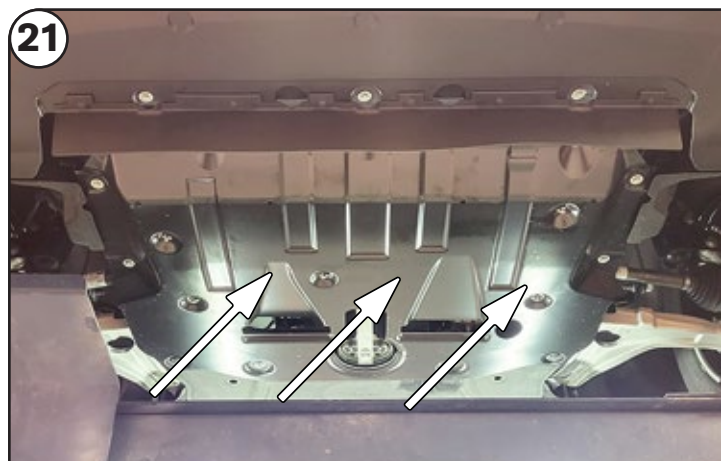
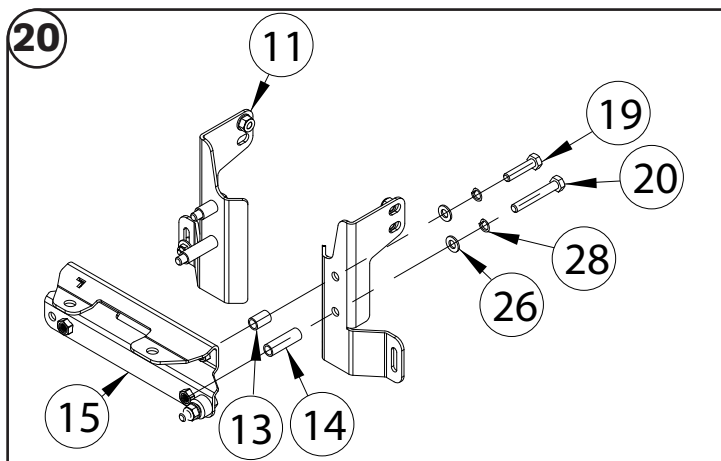
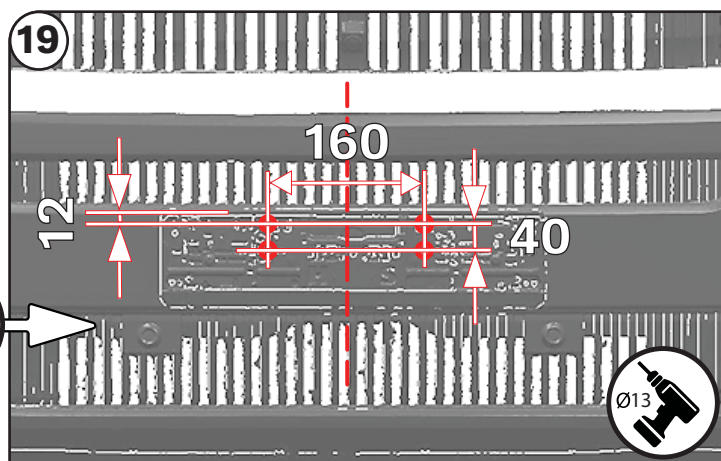
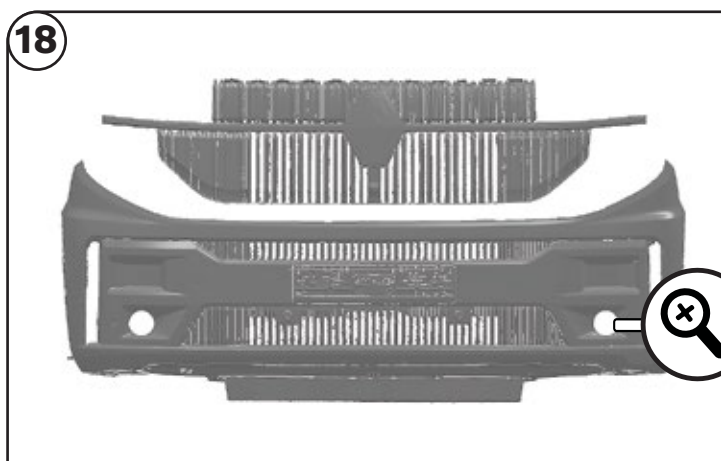
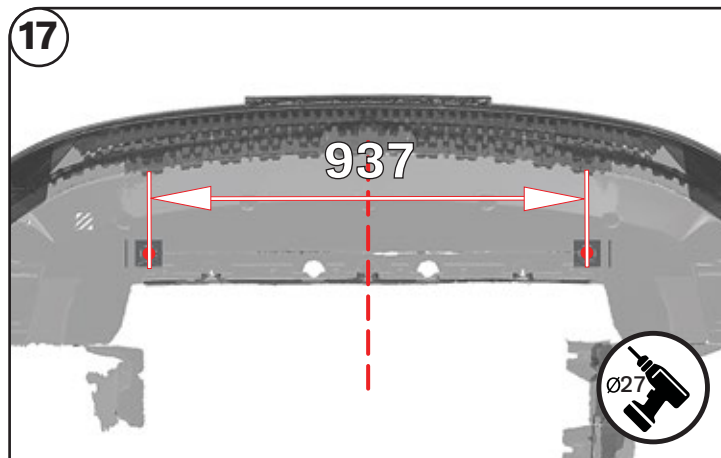
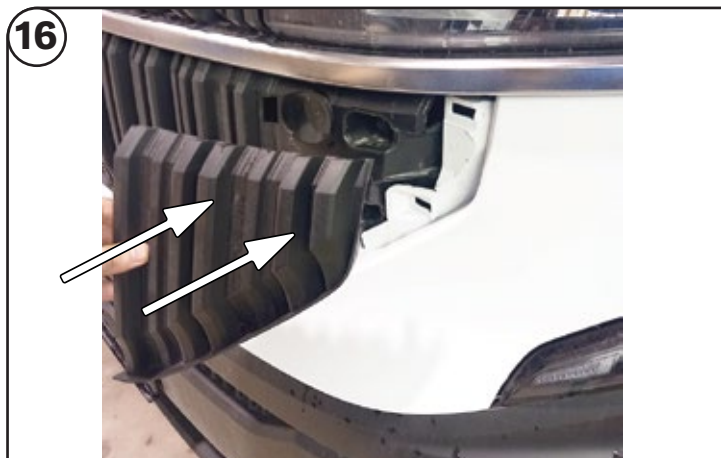
Nordicbar



Renault Master 24-

Art. 82860670, 82860671

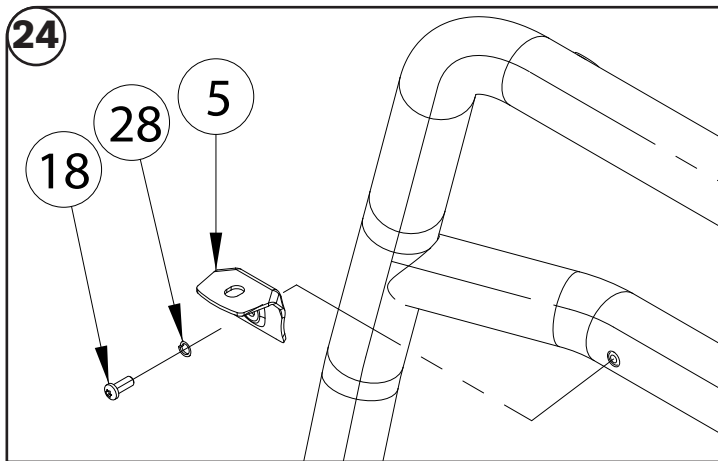
Eurobar



Renault Master 24-

Art. 82860670, 82860671

Nordicbar



Check and retighten the fasteners after each 10 000km



Clean and wash the product twice a month to prevent corrosion

In case of any defects or damage to the METEC product upon delivery, contact the reseller or point of sale where you made your purchase for resolution