



# Renault Master 24-

Mounting instructions  
Art. 82861270  
Skid plate for AdBlue tank

Scan the QR code  
for translated  
instructions or visit  
[metec.ee/instructions](http://metec.ee/instructions)



Weight: 3,0 kg  
Time of mounting w/o wiring: 15 min

**Required tools:**

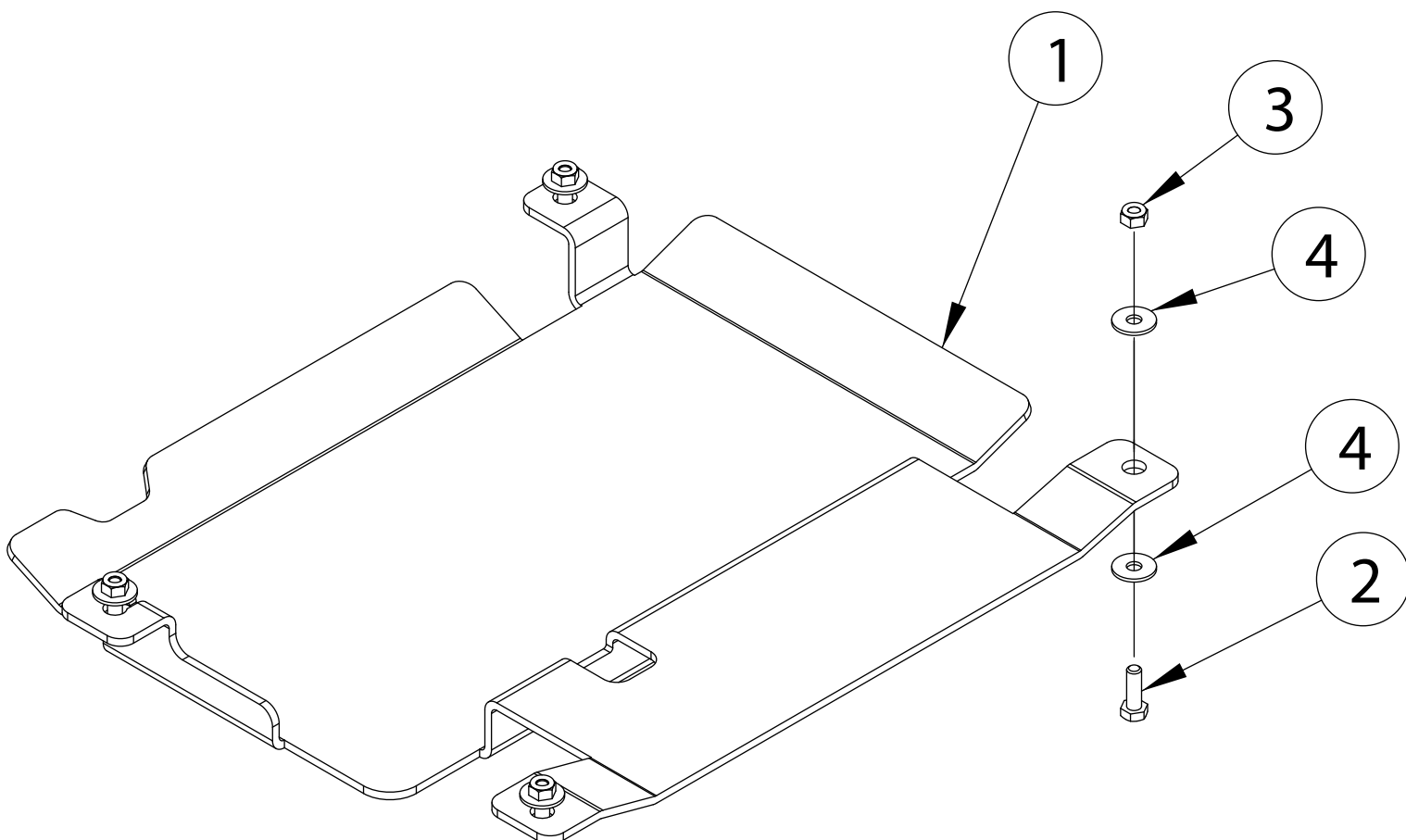


Zn
M8 - 24 Nm

# Renault Master 24-

Art. 82861270

Skid plate for AdBlue tank



Pos	Description	QTY
1.	Skid plate	1
2.	Bolt M8x25 DIN933-galZn	4
3.	Nut M8 DIN985-galZn	4
4.	Flat Washer 8,4x24x2	8

## Renault Master 24-

Art. 82861270

Skid plate for AdBlue tank

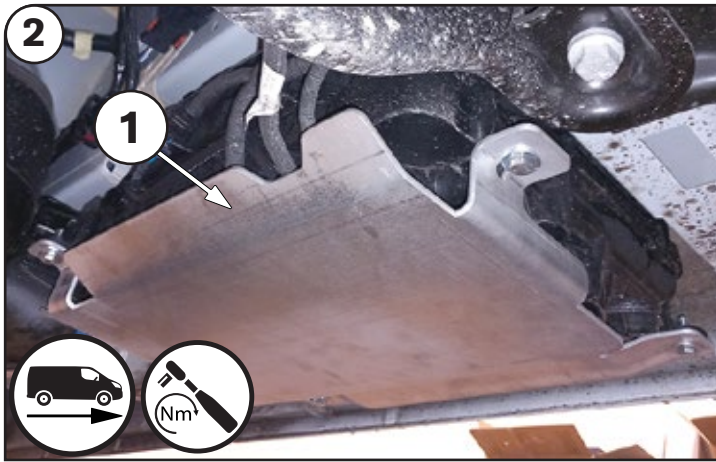
# NB!



To prevent cold welding, use cold weld grease or engine oil



Installation of the lights must be carried out by a qualified electrician only



In case of any defects or damage to the METEC product upon delivery, contact the reseller or point of sale where you made your purchase for resolution